



**BONNEY FORGE**

In 1943 when Bonney Forge pioneered the "Shape of Reinforcement" for branch connections, who would have thought it would fast become a recognized industry standard. Today, Bonney Forge Branch Connections offer complete run pipe reinforcement while avoiding cracks, fillet welds, and sharp re-entrant corner reinforcement tapering at the sides, thus preventing abrupt changes in thickness where the fitting joins the header pipe.

## **BONNEY FORGE BRANCH CONNECTIONS - YOUR BEST CHOICE**

All Bonney Forge forgings are inspected before leaving the factory, undergoing three separate quality control systems: one for material control, one for manufacturing and one for design control. Branch Connection forgings also undergo frequent checks against mill documents during the manufacturing process to assure the highest compliance with ASME and ASTM specifications. Plus, comprehensive record keeping of every fitting from initial forging bar through forging, heat treatment, machining, storage and shipment means every fitting is traceable to the exact material and process used in its manufacture.

Bonney Forge Branch Connections have been designed to substantially reduce warehouse inventory. Choose from our WELDOLET® line of funneled inlet fittings or FLEXOLET™ straight thru bore fittings. Both increase stocking flexibility and savings while meeting the 100% reinforcement requirement of applicable piping codes i.e. ASME B31.1, B31.3, B31.4 and B31.8. They also meet the 2001 edition of MSS-SP-97 Standard- "Integrally Reinforced Forged Branch Outlet Fittings."

WELDOLET® is Bonney Forge's original conventional line of fittings that give a smooth flow transition from the header pipe into the branch. It is used worldwide in refineries, chemical plants and gas pipelines.

FLEXOLET™ reduces the number of fitting sizes per outlet required, made possible by the revisions to the MSS specification. This means less warehouse bin locations, fewer individual inventory items, and less time needed for filling orders.





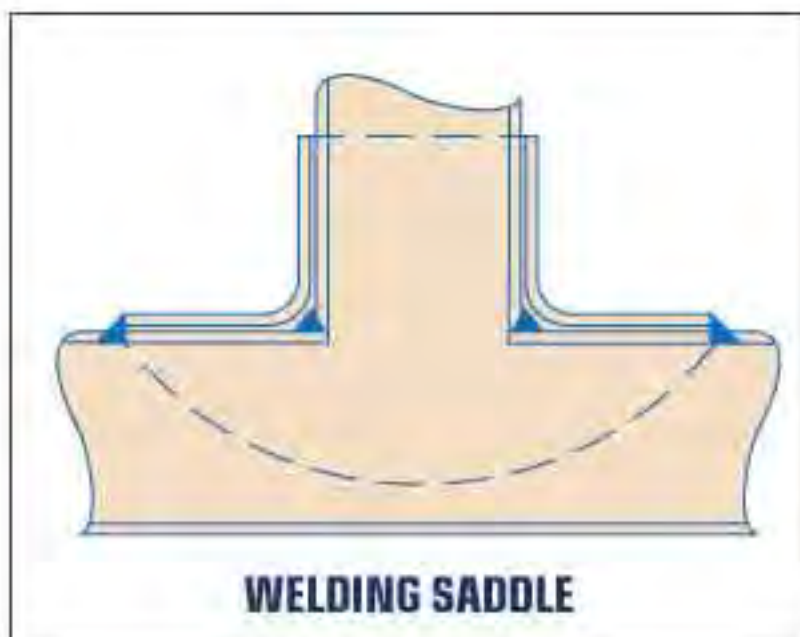
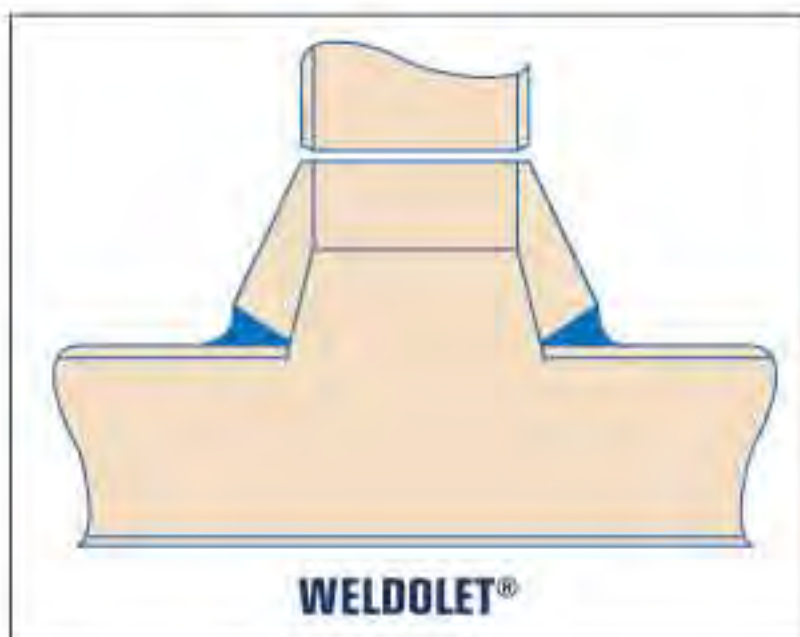
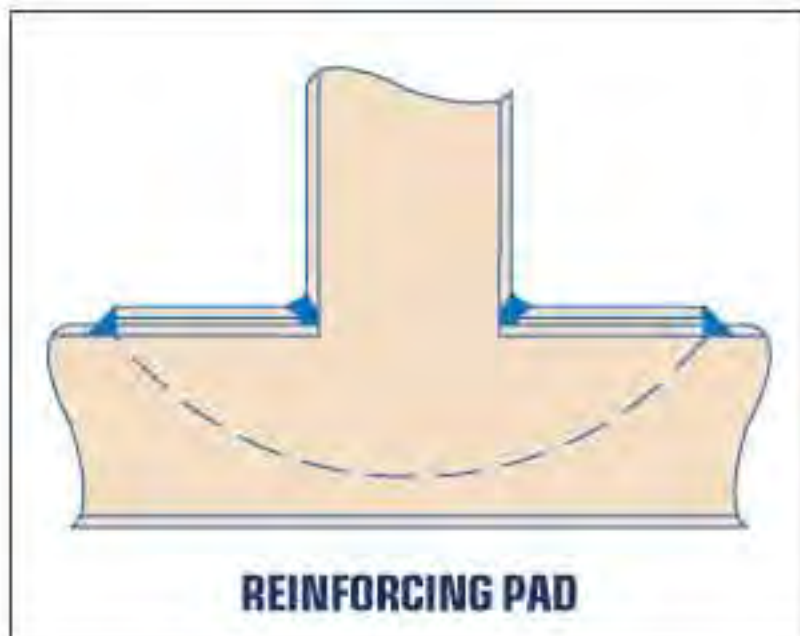
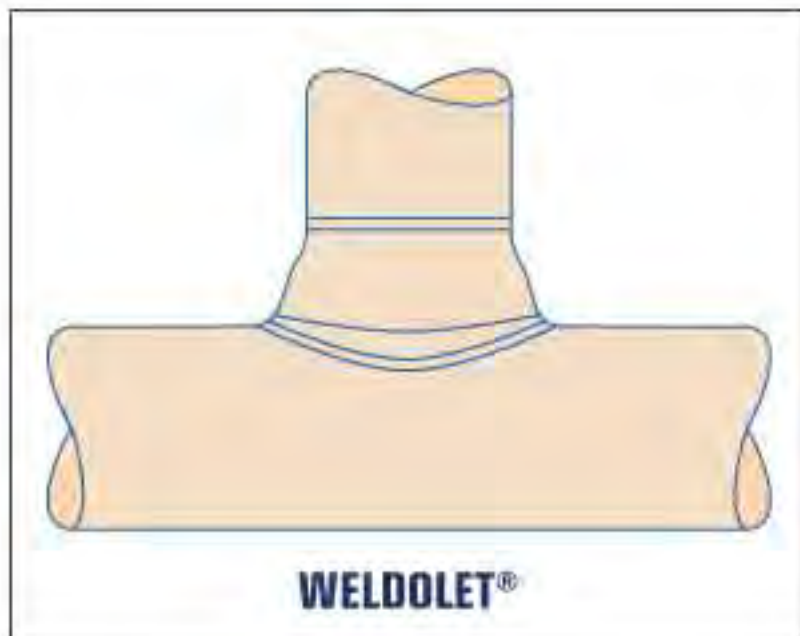
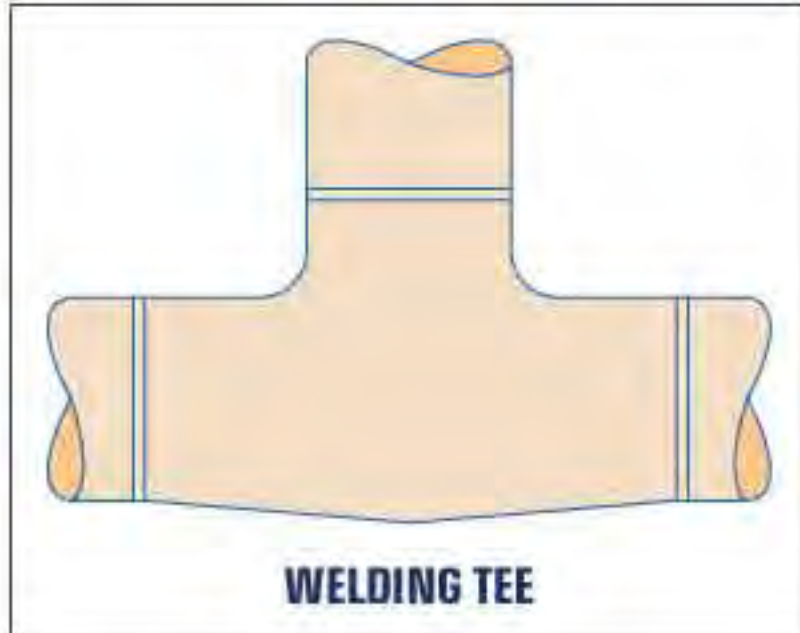


The Best Value -  
Price, Quality, Service  
All The Time.





## WHEN, WHERE & WHY TO USE WELDOLET® WELDING FITTINGS



### MAINTAIN QUALITY - REDUCE COSTS

Use the Weldolet fitting for branch connections instead of  
Welding Tees

Reinforced Branches

Unreinforced Branches

because of the reasons outlined below:

## 1

**Wherever welding fittings are required** use the Weldolet in lieu of welding tees.

- a. Weldolet fittings cost 50% to 90% less than welding tees.
- b. The Weldolet fabricates 50% to 90% less than welding tees.
- c. The Weldolet allows more flexible fabrication. (Run your pipe - then weld on fittings.)
- d. The Weldolet maintains full pipe strength in accordance with ASME B16.9 and other ASME Codes for Pressure Piping.
- e. The Weldolet provides full fluid flow.

## 2

**Wherever reinforced branches (saddles, reinforcing pads) are required by internal pressure-temperature conditions, external forces or both - an integrally reinforced Weldolet should be used.**

- a. The Weldolet fitting facilitates fabrication and reduces cost. **(No chipping, less cutting and welding)**
- b. The Weldolet provides a perfectly contoured internal joint.
- c. The Weldolet fully integrates branch reinforcement and header, avoids metal to metal lapped surfaces and sharp re-entrant corners.



## WHEN, WHERE & WHY TO USE WELDOLET® WELDING FITTINGS



### USE THE WELDOLET®

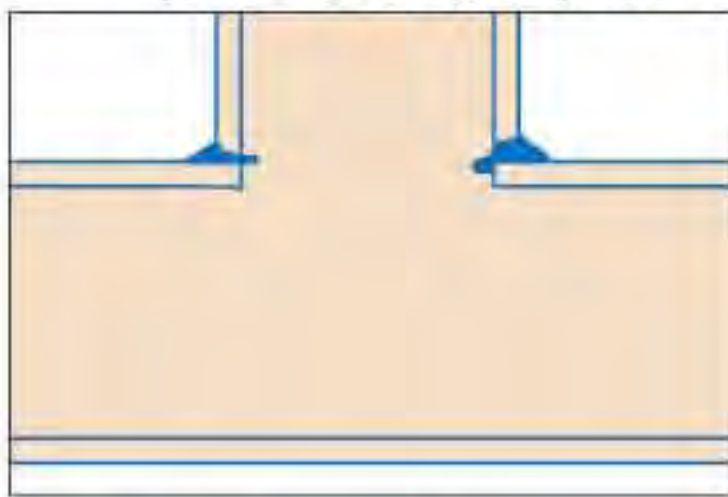
Where improved flow is desirable, the funneled inlet provides full fluid flow, short height of fitting provides accessibility for internal grinding and inspection, where piping will be subjected to vibrational and/or other external stresses, wide footing improves mechanical strength and provides rugged construction. Tapered transition from branch to header and thick juncture relieve stress concentrations, and the funneled inlet relieves stress concentrations.

**3** Wherever a non-reinforced miter-branch is satisfactory to withstand the internal pressure-tempered requirements,

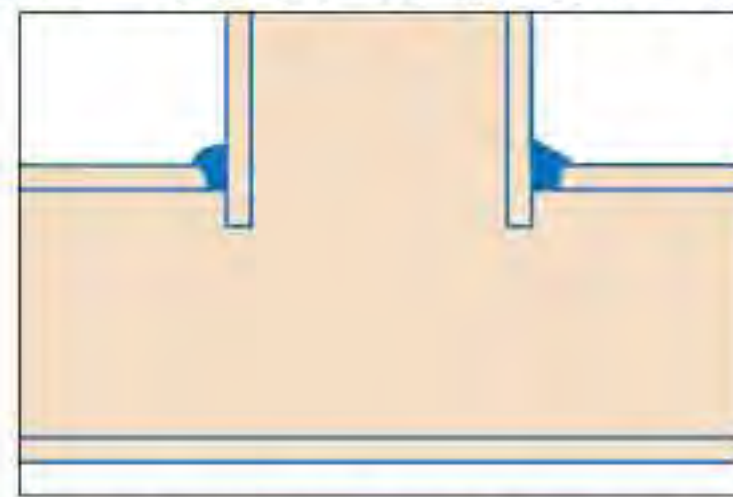
other factors point to the advisable use of the Weldolet fittings as follows:

**DESIGN AND CONSTRUCTION** with butt weld, socket or threaded outlets also precludes faulty fabrication with attendant inferior operation as shown below:

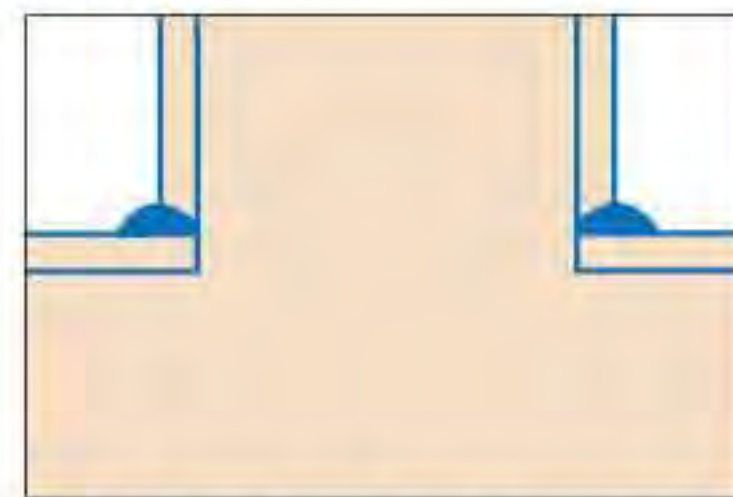
The human element has and will continue to cause this type of improper construction which cannot be readily prevented by inspection. Use of Weldolet fittings assures full fluid flow.



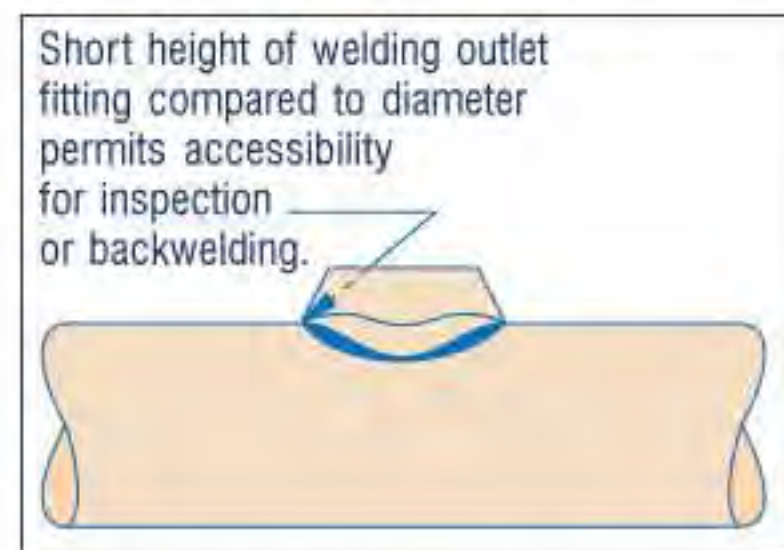
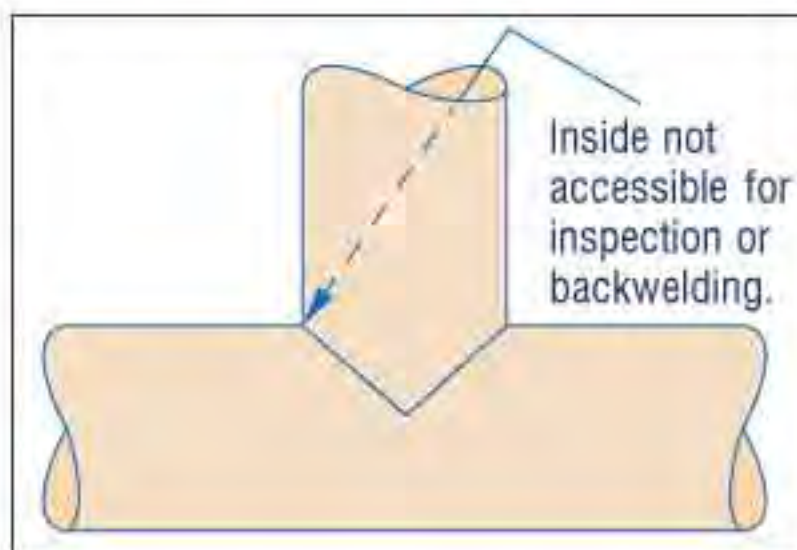
ROUGH CUT results in weld metal projecting into the system and retarding flow.



BRANCH PIPE PROJECTING down into header pipe drastically reduces flow and can plug entire system.



**THE BRANCH CONNECTION IS THE FULCRUM OF MECHANICAL MOVEMENT.** Vibration, expansion, contraction, fluid pulsation, and impact are all concentrated at this critical point.



**PRECAUTION** against external stresses must be considered particularly where failure would be hazardous to personnel or equipment.

Unreinforced mitered branches cannot be relied upon when these stresses are anticipated. Weldolet fittings assure proper mechanical strength.

WHENEVER INSPECTION OF THE INSIDE OF THE BRANCH WELD IS NECESSARY (AS IN THE ASME UNFIRED PRESSURE VESSEL CODE) OR BACKWELDING IS REQUIRED (AS IS SOMETIMES REQUIRED IN THE ASME POWER BOILER CODE) THE WELDOLET SHOULD BE USED.



## QUALITY CONTROL

Bonney Forge craftsmanship is combined with rigid quality control systems to provide complete assurance of the highest manufacturing standards and compliance with applicable ASME and ASTM specifications. Every fitting manufactured is subjected to three separate quality control systems: one for material control, one for manufacturing control, and one for design control.

All forgings are inspected before being passed to the shipping room. Frequent analyses are made to check against mill documents. Accurate records are kept of every fitting, from initial forging bar through forging, heat treatment, machining, storage and shipment. Every single fitting is traceable to the exact material and process used in its manufacture.

## RESEARCH

Rather than blindly following the results of tests on branch connections by others and applying them to the Weldolet<sup>®</sup>, Bonney Forge performed the necessary basic research and applied it directly to the Weldolet<sup>®</sup> and Sweepolet<sup>®</sup> type of construction. By ultra-precise use of stress coat, monitored by strain gauges, Bonney Forge has obtained the effect of an infinite number of strain gauges. Starting with unreinforced branch connections, and testing a large number of sizes, size combinations and weights, Bonney Forge scientifically observed and developed patterns of the areas of stress concentrations as well as the areas having less than an average stress.

As a result of a continuing program of testing over the years, the Weldolet and the Sweepolet have undergone design revisions to keep pace with the changing needs of the piping industry. The most modern research techniques are used including stress analyses by means of three-dimensional photoelasticity. The modern Weldolet and Sweepolet provides the best engineered method of fabricating a branch connection of carbon steel, stainless, alloy and high yield transmission pipe, in all pipe wall thicknesses. The Sweepolet is the recommended branch connection for Class I (critical service) nuclear piping.

## TEMPERATURE - PRESSURE RATINGS

THE WELDOLET PROVIDES 100% PIPE STRENGTH FOR ALL SIZES, WEIGHTS AND SCHEDULES.

Weldolet Welding Fittings are rated the same as seamless steel pipe. These ratings are based on the ASME Codes for Pressure Piping. For example, an extra strong Weldolet used on extra strong pipe of the equivalent material provides 100% pipe strength. Likewise, a standard weight Weldolet has the same ratings as standard weight pipe and provides 100% pipe strength when used on standard weight pipe.

Weldolet Welding Fittings are manufactured according to the requirements of the ASME B16.9 Standard for Steel Butt-Welding Fittings. Weldolets are designed so that their actual bursting strength when installed as recommended exceeds the computed bursting strength of the pipe of the designated weight or schedule number and material. Header assemblies with full size and reducing branches constructed with Weldolet welding fittings tested in accordance with the provisions of ASME B16.9 in all cases burst in the header pipe well above the computed minimum bursting strength of the straight run of unpenetrated pipe.



## How To Order Branch Connections

### 1. Specify Size

- Outlet size
- Run or Header (or Run Size Combination, see pages 38 - 40)

### 2. Specify Style

#### Olet®

- Butt-weld (Weldolet®)
- Threaded (Thredolet®)
- Socket-weld (Sokolet®)
- Other (Elbolet®, Latrolet®, Sweepolet®, Insert Weldolet®, Nipolet®, etc.)

#### Flexolet™

- Buttweld
- Threaded
- Socket-weld

### 3. Indicate Class or Schedule/Pipe Wall

- Class 3000, 6000 - Threaded or Socket-weld
- STD, XSTG, S160, etc. - Butt-welded

### 4. Select Material

- Carbon Steel - SA/A105, SA/A105N - SA/A350-LF2, etc.
- Stainless Steels
- Other

### 5. Specify Design Code (if available)

Examples - Quantity - Description - Material

10 pieces - 8 x 4 Weldolet® - STD Wt. SA/A105

5 pieces - 36 - 6 x 1-1/2 Flexolet™ - 3M Threaded - SA/A105

## How To Specify Bonney Forge Branch Connections

Generally the schedules of the run pipe and branch pipe are identical and thus specification of the equivalent schedule Weldolet assures the proper fitting being used.

#### Example:

16" Standard weight x 6" Standard weight is specified as a 6" standard weight fitting.

Where the schedule of the run is greater or less than the schedule of the branch, it is essential that both schedules be specified since (a) The Weldolet's reinforcing characteristics are a function of the run pipe wall thickness, which in turn designates the schedule of the basic Weldolet® fitting to be used; (b) The wall thickness of the outlet or branch end must match the wall thickness of the branch pipe.

#### Example:

16" Extra strong x 6" Standard weight

16" Standard weight x 6" Extra strong

Special care is suggested to avoid confusing schedule 40 and standard weight as being identical (above 10" schedule 40 is heavier) and schedule 80 and extra strong (above 8" schedule 80 is heavier).

#### Example:

8" Schedule 80 x 4" Schedule 80 fitting or extra strong fitting.

18" Schedule 80 x 4" Schedule 80 is a considerably heavier fitting, because the reinforcement is for 18" schedule 80 pipe with a wall thickness of approximately 1".

The Weldolet® is available in standard code designs for all combinations of run wall thicknesses up through 3 1/2" thickness and branch wall thicknesses up through double extra strong. Designs for thicknesses greater than these can be developed on request.

## How To Specify Bonney Forge Branch Connections With Special Bores

When run size is standard weight and the branch is standard weight - specify as standard weight. When run is standard weight and branch size is bored for a schedule less than standard weight - specify and price as standard weight plus special bore. When run size is extra strong weight and the branch is extra strong weight - specify and price as extra strong. When run size is extra strong weight and the branch is bored for a schedule less than extra strong weight - specify as extra strong plus special bore. When run size is schedule 160 weight and the branch is schedule 160 weight - specify and price as schedule 160. When the run size is schedule 160 weight and the branch is bored for a schedule less than schedule 160 - specify as schedule 160 plus special bore. For 12" and larger run sizes with wall thicknesses heavier than schedule 160 - specify Heavy Wall Weldolets as shown on page 14.

When ordering include the following information:

Examples:

Quantity	Size	Description	Material
30	6 x 6	Weldolet®, Standard Weight	Carbon Steel
2	16 x 4	Weldolet® Sch 100 x Sch 40	F22
30	2 x 2	Sokolet® Class 3000	304 S.S.
25	10-3 x 3/4	Thredolet® Class 6000	Carbon Steel

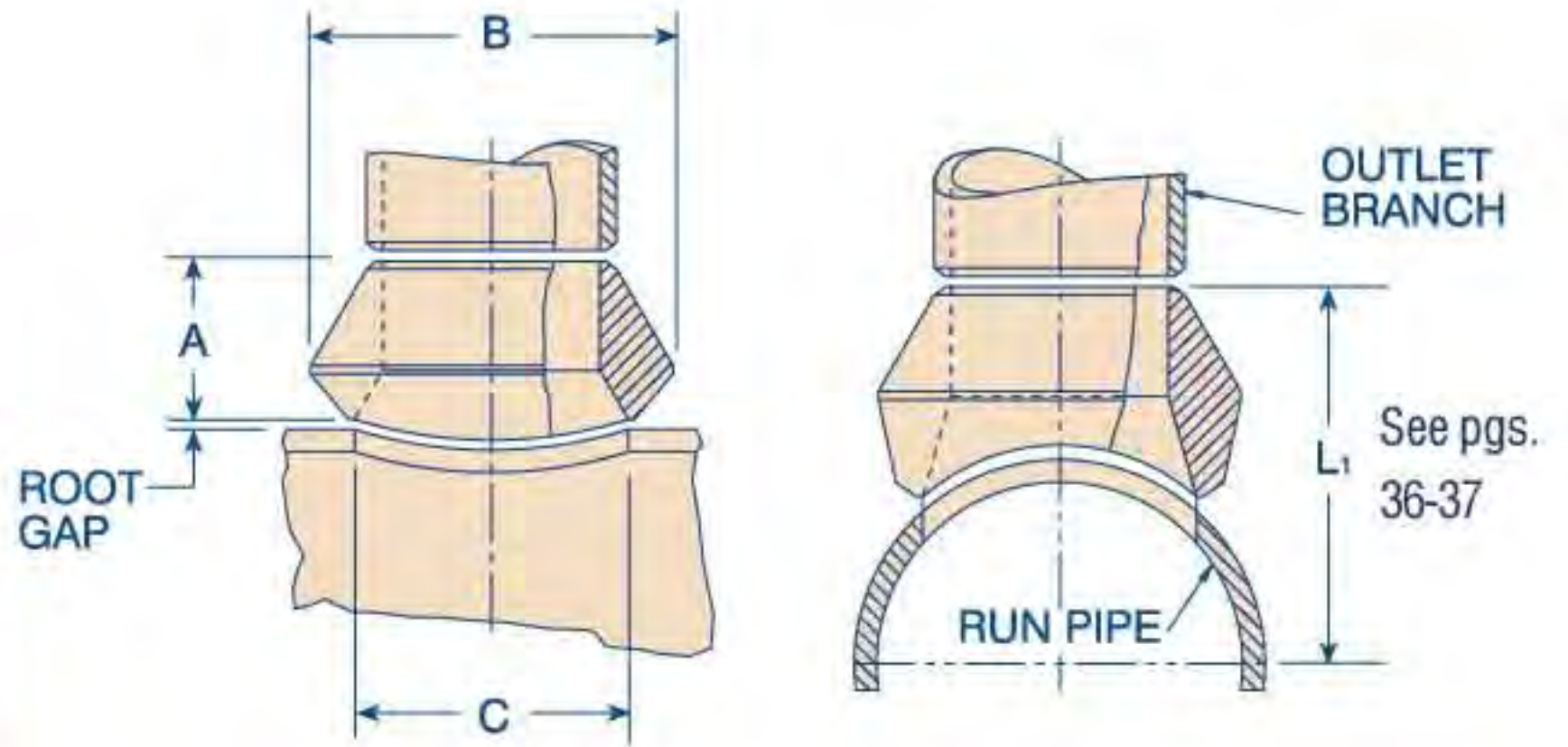
Note - Material of Olet™ Fittings should be the same as material of header.



**REDUCING AND FLAT SIZE**

**STANDARD WEIGHT, RUN AND BRANCH**

**FORGED**



Outlet Size Inches	Dimensions			Appx. Weight Pounds
	A	B	C	
1/8	5/8	1	5/8	.10
1/4	5/8	1	5/8	.10
3/8	3/4	1-1/4	3/4	.15
1/2	3/4	1-3/8	15/16	.20
3/4	7/8	1-3/4	1-3/16	.25
1	1-1/16	2-1/8	1-7/16	.50
1-1/4	1-1/4	2-9/16	1-3/4	.80
1-1/2	1-5/16	2-7/8	2	1.00
2	1-1/2	3-1/2	2-9/16	1.75
2-1/2	1-5/8	4-1/16	3	2.50
3	1-3/4	4-13/16	3-11/16	4.00
3-1/2	1-7/8	5-5/8	4	5.50
4	2	6	4-3/4	6.30
5	2-1/4	7-1/16	5-9/16	10.25
6	2-3/8	8-1/2	6-11/16	12.00
8	2-3/4	10-3/8	8-11/16	23.00
10	3-1/16	12-11/16	10-13/16	36.00
12	3-3/8	14-7/8	12-13/16	59.00
14	3-1/2	16-1/8	14-1/16	66.00
16	3-11/16	18-1/4	16-1/16	75.00
18	3-13/16	20-1/2	18-1/16	97.00
20	4	22-1/2	20	118.00
24	4-9/16	27-1/8	24-3/16	220.00
26	4-11/16	29-1/16	26-1/4	265.00
30	5-3/8	34-1/16	30-7/16	430.00
36	5-3/8	34-1/16	36-1/2	900.00

See footnotes at bottom of page 9.

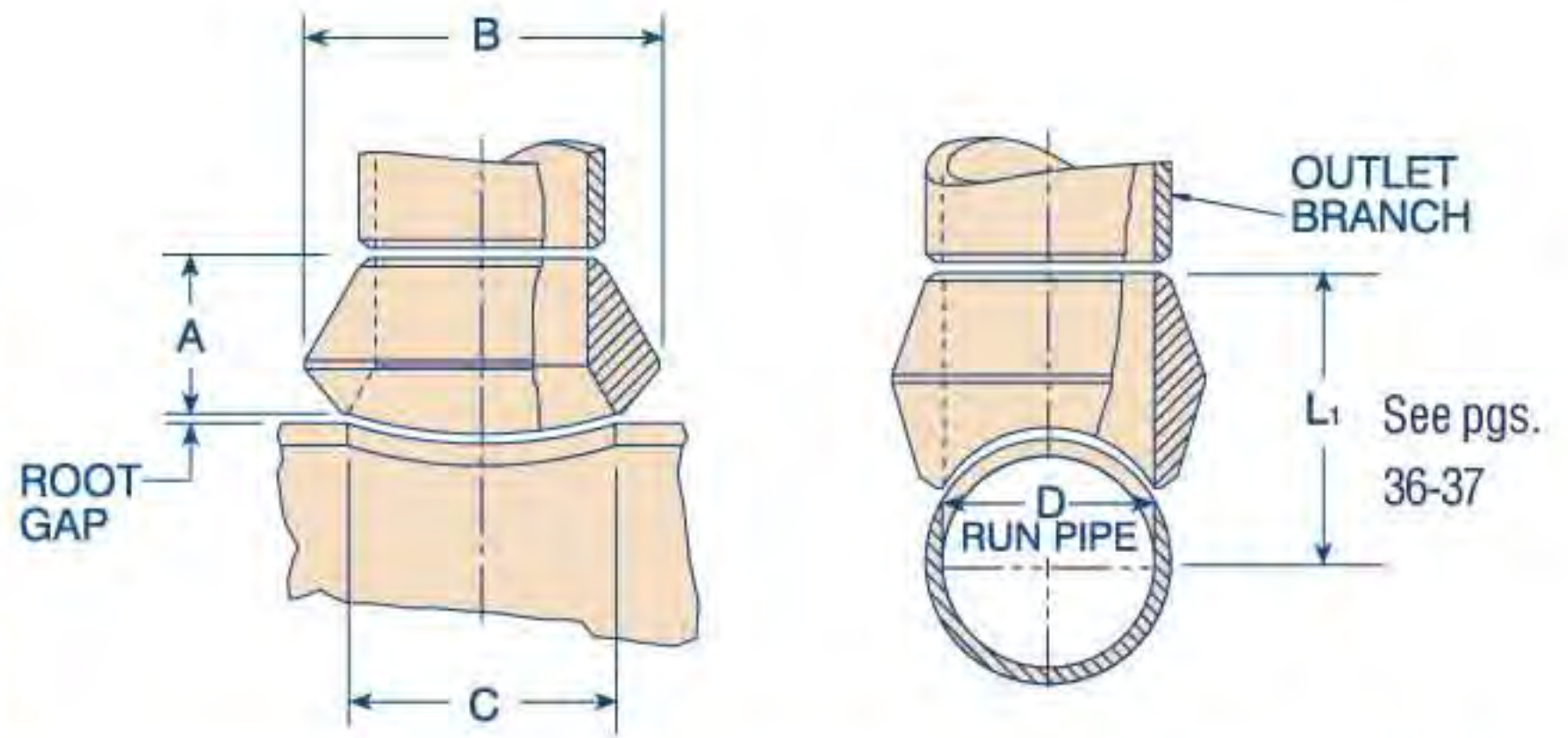
Larger outlet sizes available on application.



**SIZE ON SIZE**

**STANDARD WEIGHT, RUN AND BRANCH**

**FORGED**



Outlet Size Inches	Dimensions				Appx. Weight Pounds
	A	B	C	D	
1/2	3/4	1-3/8	15/16	5/8	.15
3/4	7/8	1-5/8	1-3/16	13/16	.25
1	1-1/16	2	1-7/16	1-1/32	.40
1-1/4	1-1/4	2-3/8	1-3/4	1-3/8	.70
1-1/2	1-5/16	2-7/8	2	1-5/8	.80
2	1-1/2	3-1/2	2-9/16	2-1/16	1.50
2-1/2	1-5/8	4-1/16	3	2-7/16	2.25
3	1-3/4	4-13/16	3-11/16	3-1/16	3.75
3-1/2	2	5-3/8	3-7/8	3-9/16	5.00
4	2	6	4-3/4	4	6.70
5	2-1/4	7-1/8	5-9/16	5-1/16	8.50
6	2-3/8	8-1/2	6-11/16	6-1/16	14.00
8	2-3/4	10-3/8	8-11/16	7-15/16	28.00
10	3-1/16	12-9/16	10-13/16	10	39.00
12	3-3/8	14-7/8	12-13/16	12	65.00
14	3-1/2	16-1/8	14-1/16	13-1/4	70.00
16	3-11/16	18-1/4	16-1/16	15-1/4	92.00
18	4-1/16	20-3/4	18-5/8	17-1/4	125.00
20	4-5/8	23-1/16	20-1/16	19-1/4	175.00
24	5-3/8	27-7/8	25-1/8	23-1/4	280.00
30	5-3/8	34-1/16	30-7/16	29-1/4	440.00
36	5-3/8	34-1/16	36-1/2	35-1/4	1180.00

Footnotes apply to pages 8 & 9.

Each outlet size listed is available to fit any run curvature.

Larger Outlet Sizes Available on Application.

Design per MSS-SP-97. BW ends per B16.9 and B16.25.

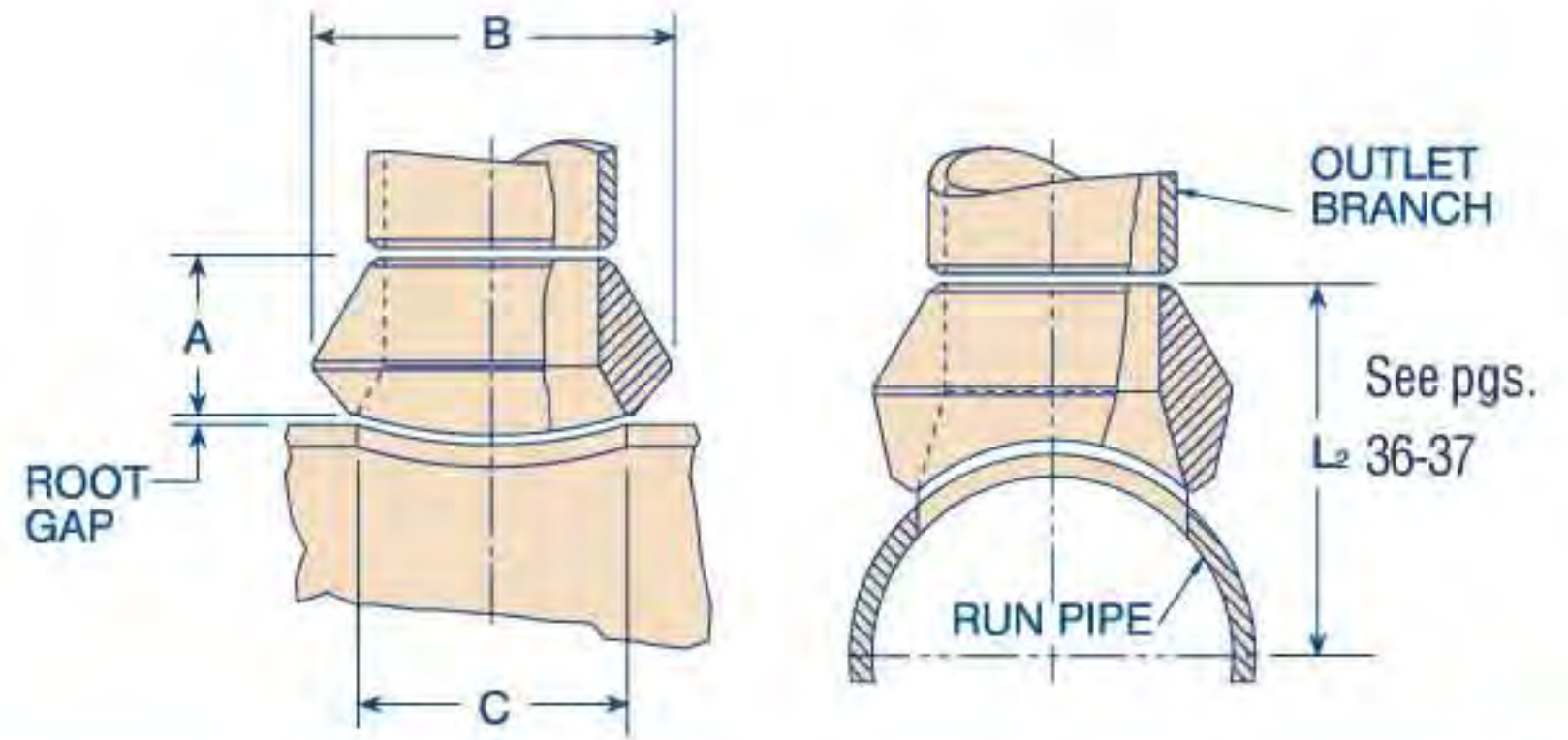
- RUN PIPE SIZES Outlet sizes 6" and less fit a number of run pipe sizes, and the fittings are marked accordingly. See page 38 for run pipe size combination table(s).
- SCHEDULES Standard weight fittings are the same as schedule 40 fittings through 10". Pipe schedule numbers and weight designations are in accordance with ASME B36.10. A schedule 40 Weldolet for sizes 12" and larger is available.
- FLATS A flat Weldolet for use on welding caps, elliptical heads and flat surfaces is available.
- ORDERING When ordering a Weldolet fitting, see page 7.



**REDUCING AND FLAT SIZE**

**EXTRA STRONG, RUN AND BRANCH**

**FORGED**



Outlet Size Inches	Dimensions			Appx. Weight Pounds
	A	B	C	
1/8	5/8	1	5/8	.10
1/4	5/8	1	5/8	.10
3/8	3/4	1-1/4	3/4	.15
1/2	3/4	1-3/8	15/16	.20
3/4	7/8	1-3/4	1-3/16	.30
1	1-1/16	2-1/8	1-7/16	.50
1-1/4	1-1/4	2-9/16	1-3/4	.90
1-1/2	1-5/16	2-7/8	2	1.10
2	1-1/2	3-1/2	2-9/16	1.75
2-1/2	1-5/8	4-1/16	3	2.60
3	1-3/4	4-13/16	3-11/16	4.10
3-1/2	1-7/8	5-3/8	4	5.60
4	2	6	4-3/4	6.40
5	2-1/4	7-1/16	5-9/16	10.40
6	3-1/16	8-7/8	6-11/16	23.00
8	3-7/8	11-1/2	8-11/16	37.00
10	3-11/16	12-3/4	10-7/16	46.00
12	4-1/16	14-15/16	12-1/2	61.00
14	3-15/16	17	13-13/16	70.00
16	4-3/16	18-3/8	15-7/8	102.00
18	4-3/8	20-3/8	17-15/16	130.00
20	4-11/16	22-15/16	20-1/16	158.00
24	5-1/2	27-7/8	24-3/16	290.00
26	5-3/4	30-1/8	27-1/4	350.00

30, 36 and larger sizes available on application.

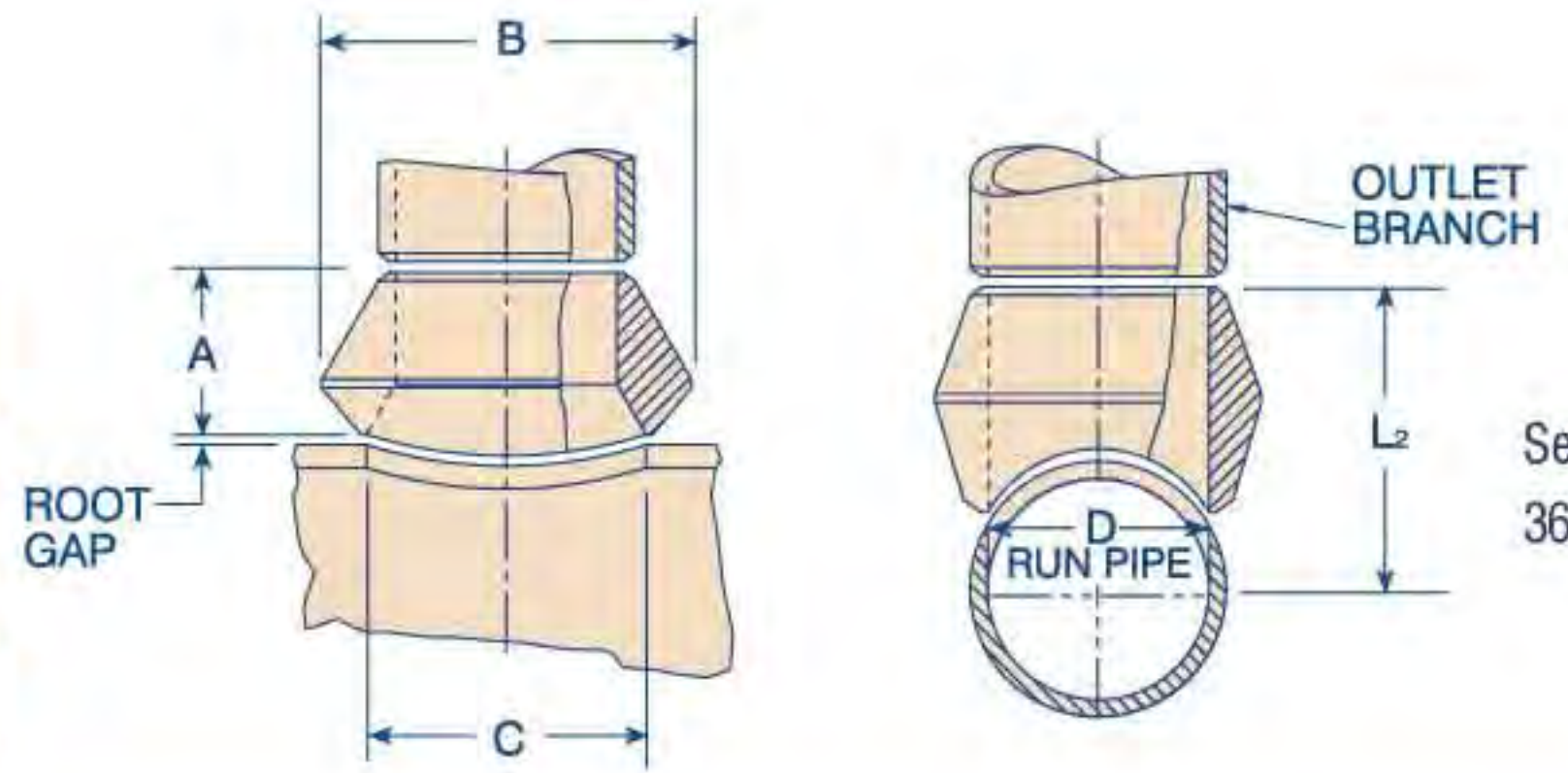
See footnotes at bottom of page 11.



**SIZE ON SIZE**

**EXTRA STRONG, RUN AND BRANCH**

**FORGED**



See pgs.  
36-37



Outlet Size Inches	Dimensions				Appx. Weight Pounds
	A	B	C	D	
1/2	3/4	1-3/8	15/16	5/8	.15
3/4	7/8	1-5/8	1-3/16	13/16	.25
1	1-1/16	2	1-7/16	1-1/32	.40
1-1/4	1-1/4	2-7/16	1-3/4	1-3/8	.70
1-1/2	1-5/16	2-7/8	2	1-5/8	.90
2	1-1/2	3-1/2	2-9/16	2-1/16	1.60
2-1/2	1-5/8	4-1/16	3	2-7/16	2.50
3	1-3/4	4-13/16	3-11/16	3-1/16	4.10
3-1/2	2	5-3/8	3-7/8	3-9/16	5.10
4	2	6	4-3/4	4	7.50
5	2-1/4	7-1/8	5-9/16	5-1/16	9.50
6	3-1/16	8-7/8	6-11/16	6-1/16	15.00
8	3-7/8	10-5/8	8-11/16	7-5/8	32.00
10	3-1/2	12-7/8	10-7/16	9-3/4	46.00
12	3-15/16	15-3/16	13	11-3/4	61.00
14	4-1/8	16-11/16	14-5/16	13	75.00
16	4-7/16	18-7/8	16-1/2	15	115.00
18	4-11/16	21-1/8	18-5/8	17	130.00
20	5	23-3/8	20-13/16	19	187.00
24	5-1/2	27-7/8	25-1/8	23	316.00
26	5-3/4	30-1/8	27-1/4	25	370.00

30, 36 and larger sizes available on application.

Footnotes apply to pages 10 & 11.

Each outlet size listed is available to fit any run curvature.  
Design per MSS-SP-97. BW ends per B16.9 and B16.25.

- RUN PIPE SIZES Outlet sizes 6" and less fit a number of run pipe sizes, and the fittings are marked accordingly. See page 38 for run pipe size combination table(s).
- SCHEDULES Extra strong fittings are the same as schedule 80 through 8". Pipe schedule numbers and weight designations are in accordance with ASME B36.10. A schedule 80 Weldolet for sizes 10" and larger is available. Dimensions and prices on application.
- FLATS A flat Weldolet for use on welding caps, elliptical heads and flat surfaces is available.
- ORDERING When ordering a Weldolet fitting, see page 7.

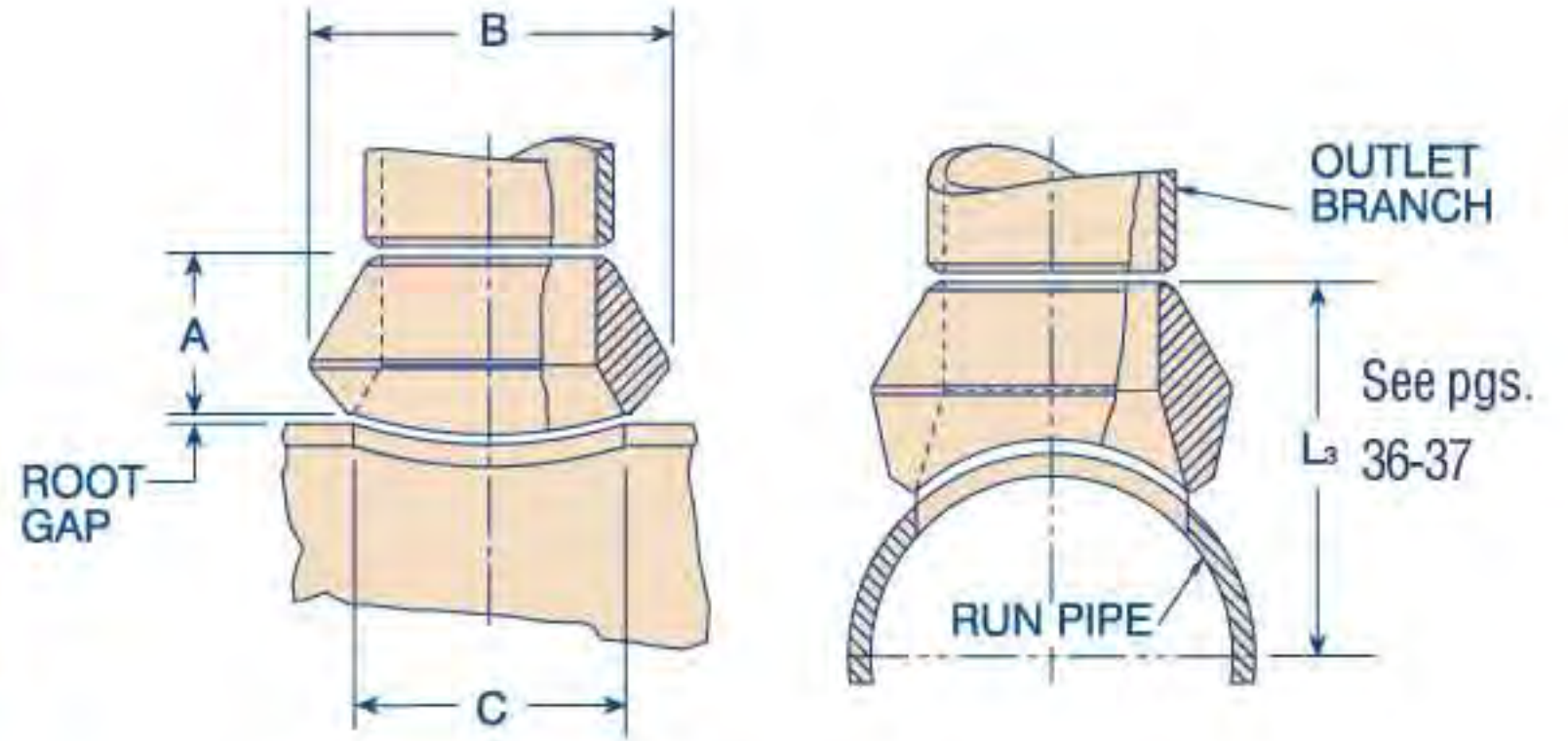


**REDUCING AND FLAT SIZE**

**SCHEDULE 160 & DOUBLE EXTRA STRONG**

**RUN AND BRANCH**

**FORGED**



Outlet Size Inches	Dimensions			Appx. Weight Pounds
	A	B	C	
1/2	1-1/8	1-3/8	9/16	.25
3/4	1-1/4	1-3/4	3/4	.70
1	1-1/2	2	1	.85
1-1/4	1-3/4	2-7/16	1-5/16	1.25
1-1/2	2	2-3/4	1-1/2	1.75
2	2-3/16	3-3/16	1-11/16	2.15
2-1/2	2-7/16	3-13/16	2-1/8	3.40
3	2-7/8	4-3/4	2-7/8	6.30
4	3-5/16	6	3-7/8	10.50
5	3-11/16	7-3/8	4-13/16	14.25
6	4-1/8	8-11/16	5-3/4	28.00
8	<p><b>For dimensions see Heavy Wall Weldolet, page 14.</b></p> <p><b>Larger outlet sizes available on application.</b></p>			
10				
12				
14				
16				
18				
24				

See footnotes at bottom of page 13.

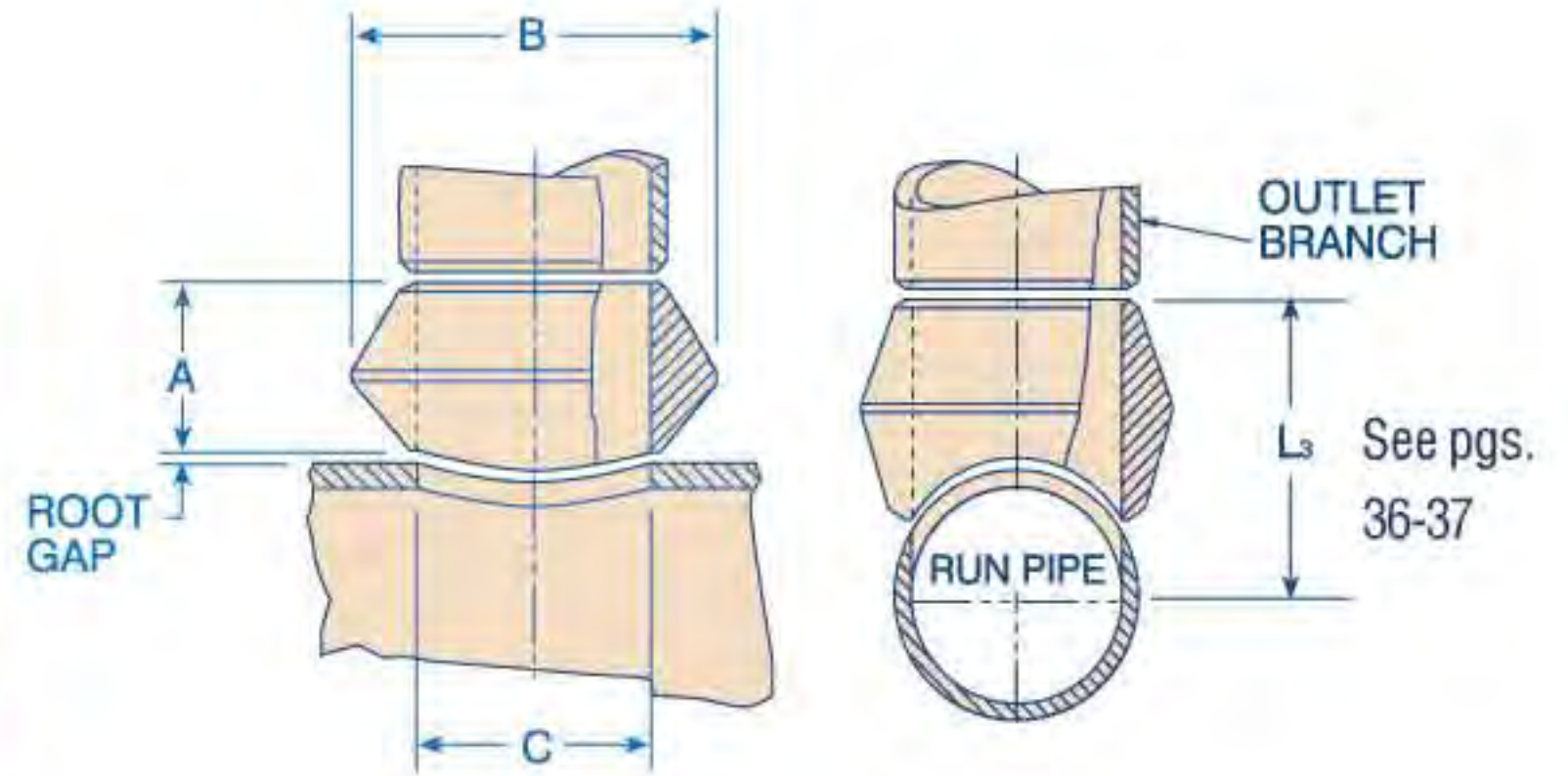


**SIZE ON SIZE**

**SCHEDULE 160 & DOUBLE EXTRA STRONG**

**RUN AND BRANCH**

**FORGED**



Outlet Size Inches	Dimensions			Appx. Weight Pounds
	A	B	C	
1/2	1-1/8	1-3/8	9/16	.25
3/4	1-1/4	1-3/4	3/4	.70
1	1-1/2	2	1	.80
1-1/4	1-3/4	2-7/16	1-5/16	1.25
1-1/2	2	2-3/4	1-1/2	1.75
2	2-3/16	3-3/16	1-11/16	2.15
2-1/2	2-7/16	3-13/16	2-1/8	3.40
3	2-7/8	4-3/4	2-7/8	6.35
4	3-5/16	6	3-7/8	10.50
5	3-11/16	7-3/8	4-13/16	14.25
6	4-1/8	8-11/16	5-3/4	30.25
8	<b>For dimensions see Heavy Wall Weldolet, page 14.</b>			
10				
12				
14				
16				
18				
20				
24				

Footnotes apply to pages 12 & 13.

Each outlet size listed is available to fit any run curvature.

Larger sizes available on application.

Design per MSS-SP-97. BW ends per B16.9 and B16.25.

RUN PIPE SIZES

Outlet sizes 4" and less fit a number of run pipe sizes, and the fittings are marked accordingly. See page 38 for run pipe size combination table(s).

FLATS

A flat Weldolet for use on welding caps, elliptical heads and flat surfaces is available.

ORDERING

When ordering a Weldolet fitting, see page 7.

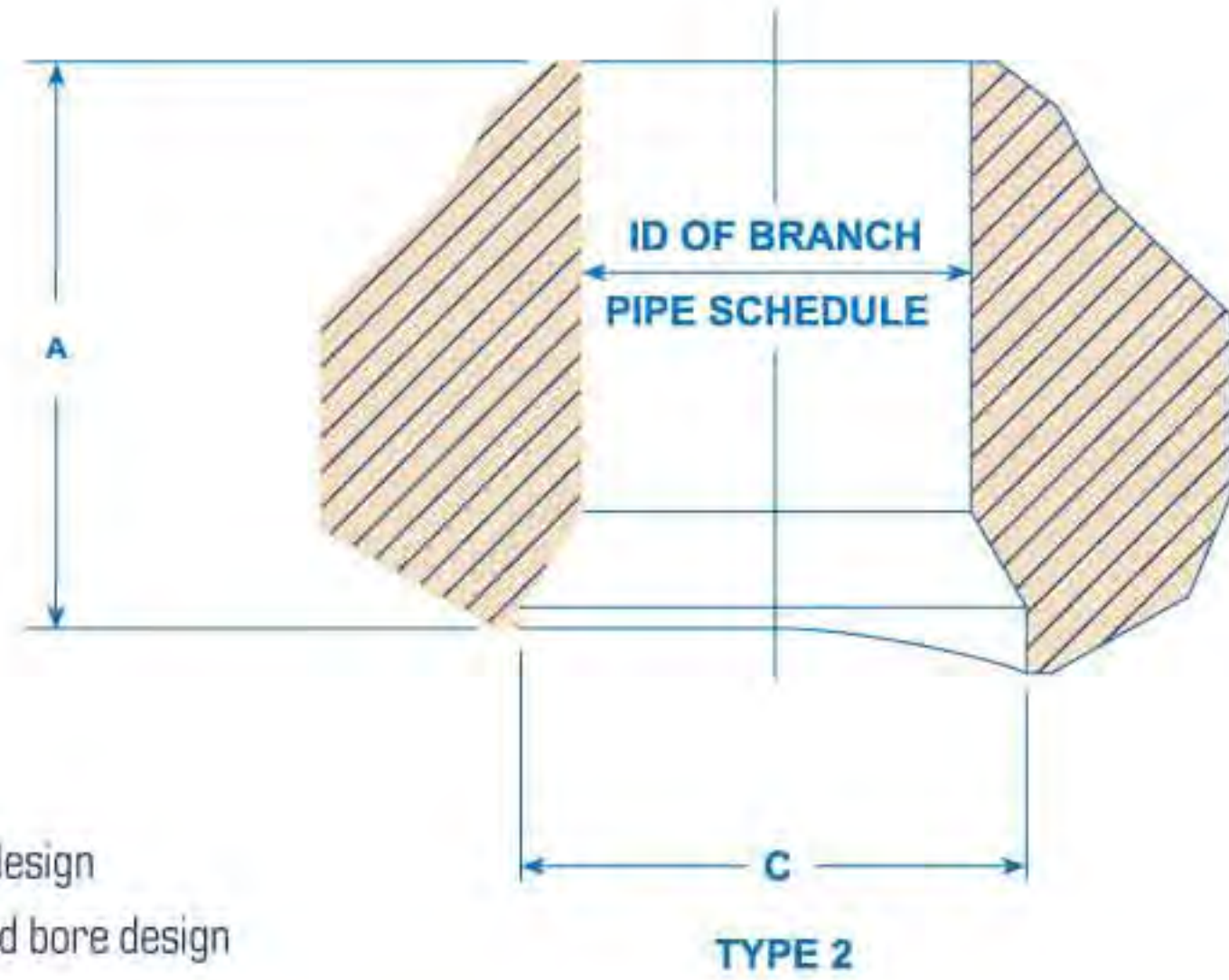
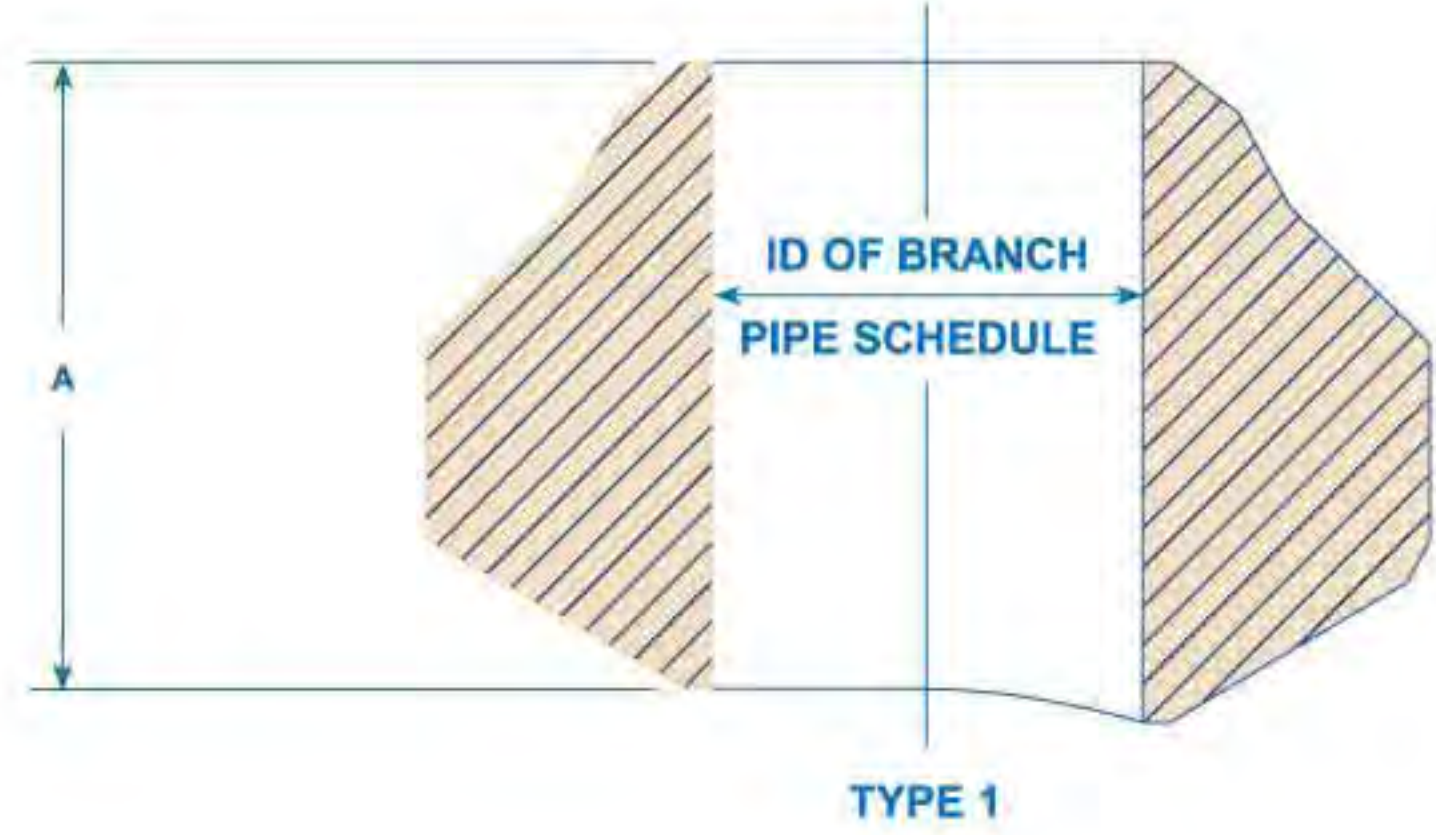


**HEAVY WALL**

**FORGED**



The Heavy Wall Forged Weldolet® is an integrally reinforced branch connection. It provides the economical and engineering answer to the problem of welding outlet fittings on high pressure, high temperature piping and pressure vessels.



Type 1 - Straight thru bore design

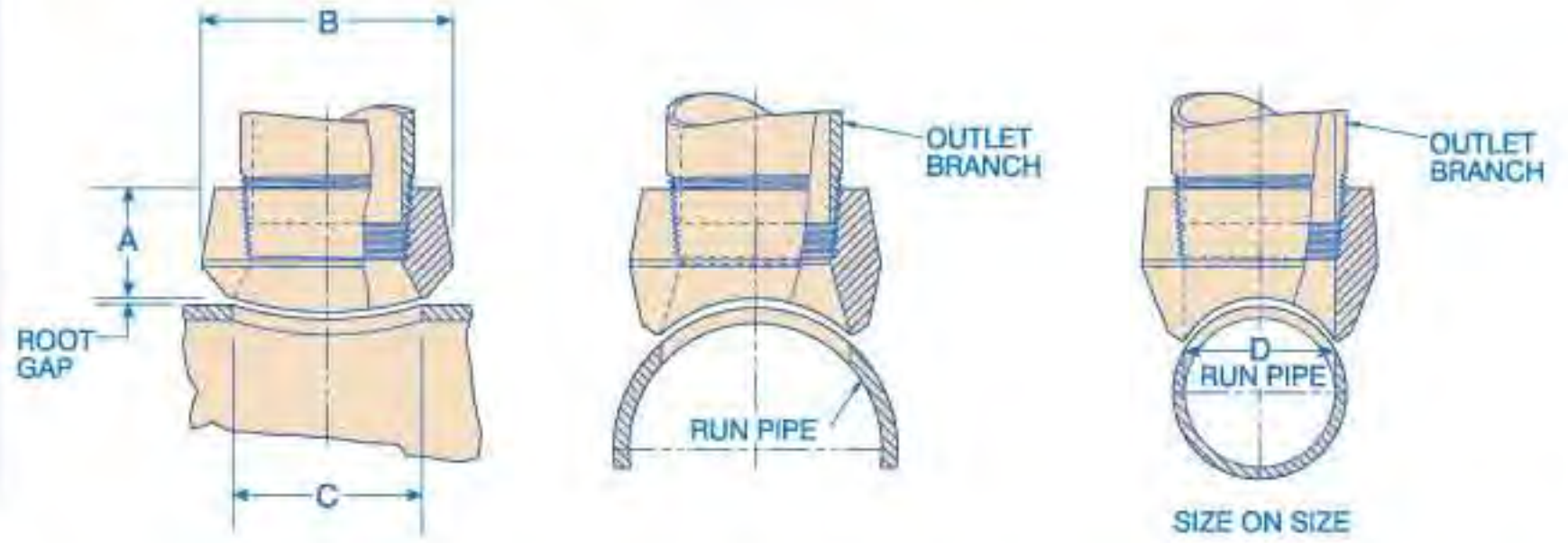
Type 2 - Conventional tapered bore design

Run Wall Thickness	3/4		1		1-1/4		1-1/2		1-3/4		2		2-1/4		2-1/2		2-3/4		3	
	A	C	A	C	A	C	A	C	A	C	A	C	A	C	A	C	A	C	A	C
3	2-7/8	2906	3-7/32	2900	3-3/8	2905	3-5/8	2900	4-1/8	2900	4-9/16	2900	5	2900	5-1/2	2900	5-7/8	2900	6-1/16	2900
3-1/2	3-1/8	3359	3-1/4	3359	3-7/16	3359	3-3/4	3359	4-3/16	3359	4-5/8	3359	5-1/16	3359	5-9/16	3359	6	3359	6-5/16	3359
4	3-5/16	3843	3-3/8	3826	3-1/2	3828	3-7/8	3826	4-3/4	3826	4-3/4	3826	5-3/16	3826	5-5/8	3826	6-1/8	3826	6-9/16	3826
5	3-3/4	4812	3-3/4	4812	4	4812	4-1/4	4812	4-3/4	4812	5-1/4	4812	5-3/4	4812	6-1/4	4812	6-5/8	4812	7-3/16	4812
6	4-1/8	5750	4-11/32	5761	4-1/2	5760	4-11/16	5760	5-1/4	5760	5-3/4	5760	6-1/4	5760	6-3/4	5760	7-1/4	5760	7-13/16	5760
8	4-3/16	7625	4-5/8	7625	4-7/8	7625	5-5/32	7625	5-3/4	7625	6-11/32	7625	6-15/16	7625	7-17/32	7625	8-3/32	7625	8-11/16	7625
10	4-1/4	9750	4-27/32	9750	5	9562	5-5/16	9562	5-15/16	9562	6-9/16	9562	7-3/16	9562	7-13/16	9562	8-7/16	9562	9-1/16	9562
12	4-3/8	11750	5-3/32	11750	5-3/8	11375	5-11/16	11375	6-5/16	11375	6-15/16	11375	7-9/16	11375	8-3/16	11375	8-13/16	11375	9-7/16	11375
14	4-1/2	13	5-1/4	13	5-1/2	12500	5-13/16	12500	6-5/16	12500	6-15/16	12500	7-9/16	12500	8-3/16	12500	8-13/16	12500	9-7/16	12500
16	4-11/16	15	5-7/8	15	6	14312	6-7/16	14310	6-5/8	14310	7-1/4	14310	7-7/8	14310	8-1/2	14310	9-1/8	14310	9-3/4	14310
18	5-1/8	17	6-1/2	17	6-1/2	16125	6-1/2	16126	6-13/16	16126	7-7/16	16126	8-7/32	16126	8-13/16	16126	9-13/32	16126	10-1/32	16126
20	5-5/8	19	6-3/4	19	7	17937	7-9/16	17938	7-25/32	17938	8-3/32	17938	8-21/32	17938	9-1/4	17938	9-29/32	17938	10-15/32	17938
24	6-1/2	23	7-5/8	23	8	21564	8-23/32	21564	8-31/32	21564	9-13/16	21568	10-1/2	21568	11	21564	12-9/16	21564	10-21/32	21564



# B<sup>®</sup> THREDOLET<sup>®</sup> REDUCING, SIZE ON SIZE AND FLAT

BONNEY FORGE



**CL 3000**

**CL 6000**

## REDUCING SIZES

	Outlet Size Inches	Dimensions			Appx. Weight Pounds
		A	B	C	
CL 3000	1/8	3/4	1	5/8	.10
	1/4	3/4	1	5/8	.10
	3/8	13/16	1-1/4	3/4	.20
	1/2	1	1-13/32	15/16	.25
	3/4	1-1/16	1-23/32	1-5/32	.35
	1	1-5/16	2	1-7/16	.60
	1-1/4	1-5/16	2-9/16	1-3/4	.90
	1-1/2	1-3/8	2-27/32	2	1.00
	2	1-1/2	3-15/32	2-9/16	1.75
	2-1/2	1-13/16	4-1/16	3	3.00
	3	2	4-13/16	3-11/16	4.35
	3-1/2	2-1/8	5-7/32	4	5.75
CL 6000	4	2-1/4	5-31/32	4-3/4	7.10
	5	2-5/8	7-5/16	5-9/16	12.00
	6	2-3/4	8-5/8	6-11/16	15.30
	1/4	1-1/8	1-11/32	9/16	.30
	3/8	1-1/8	1-11/32	9/16	.30
	1/2	1-1/4	1-23/32	3/4	.45
	3/4	1-7/16	1-61/64	1	.75
	1	1-9/16	2-7/16	1-5/16	1.25
	1-1/4	1-5/8	2-23/32	1-1/2	1.60
	1-1/2	1-11/16	3-1/4	1-15/16	1.95
2	2-1/16	4-1/32	2-3/4	5.00	

## SIZE ON SIZE

	Outlet Size Inches	Dimensions				Appx. Weight Pounds
		A	B	C	D	
CL 3000	1/2	1	1-3/8	15/16	5/8	.15
	3/4	1-1/16	1-5/8	1-3/16	13/16	.25
	1	1-5/16	2	1-7/16	1-1/16	.45
	1-1/4	1-5/16	2-3/8	1-3/4	1-3/8	.70
	1-1/2	1-3/8	2-7/8	2	1-5/8	.90
	2	1-1/2	3-1/2	2-9/16	2-1/16	1.40
	2-1/2	1-29/32	4-1/16	3	2-1/2	2.50
	3	2	4-13/16	3-11/16	3-1/16	4.30
	3-1/2	2-1/8	5-3/8	4-7/16	3-9/16	4.50
	4	2-1/4	6-1/16	4-3/4	4-1/16	6.80
	5	2-7/16	7-1/4	5-1/4	5-1/4	9.20
	6	2-3/4	8-11/16	5-3/4	5-3/4	15.70

Each outlet size listed is available to fit any run curvature. Threaded ends are in accordance with ANSI/ASME B1.20.1 Design per MSS-SP-97

**RUN PIPE SIZES** Outlet sizes noted above fit a number of run pipe sizes, and the fittings are marked accordingly. See page 38 for run pipe size combination table(s).

**FLATS** A flat Thredolet for use on welding caps, elliptical heads and flat surfaces is available.

**ORDERING** When ordering a Thredolet fitting, see page 7.

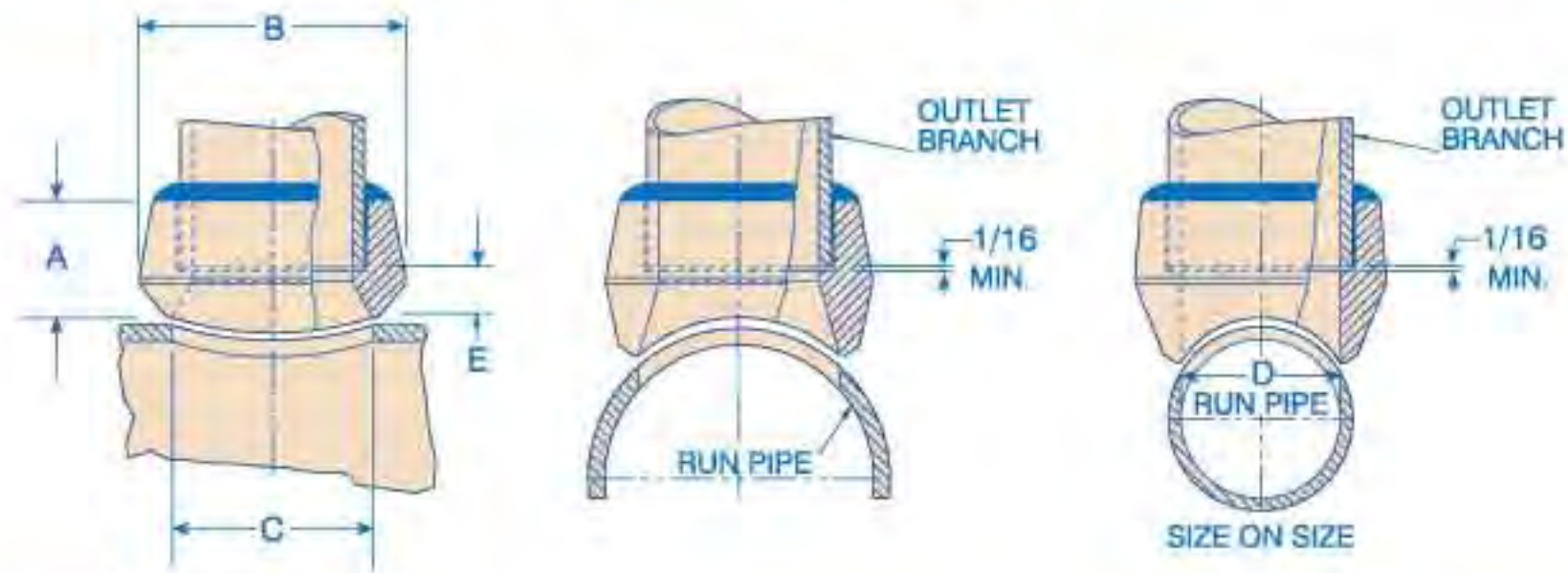


# B SOCKOLET® REDUCING, SIZE ON SIZE AND FLAT

BONNEY FORGE

CL 3000

CL 6000



## REDUCING SIZES

	Outlet Size Inches	Dimensions					Appx. Weight Pounds
		A	B	C	D	E	
CL 3000	1/8	3/4	1	5/8	.269	9/32	.10
	1/4	3/4	1	5/8	.364	9/32	.10
	3/8	13/16	1-1/4	3/4	.493	7/16	.20
	1/2	1	1-13/32	29/32	.622	9/16	.30
	3/4	1-1/16	1-23/32	1-5/32	.824	9/16	.35
	1	1-5/16	2	1-7/16	1.049	25/32	.60
	1-1/4	1-5/16	2-9/16	1-3/4	1.380	3/4	.85
	1-1/2	1-3/8	2-27/32	2	1.610	3/4	1.00
	2	1-1/2	3-15/32	2-9/16	2.067	13/16	1.60
	2-1/2	1-9/16	4-1/16	3	2.469	3/4	2.75
	3	1-3/4	4-13/16	3-11/16	3.068	15/16	3.80
	3-1/2	2-1/8	5-7/32	4	3.548	1	4.30
CL 6000	4	1-7/8	5-31/32	4-3/4	4.026	1-1/16	7.25
	5	2-5/8	7-5/16	5-9/16	5.047	1-11/32	12.00
	6	2-3/4	8-5/8	6-11/16	6.065	1-13/32	14.50
	1/2	1-1/4	1-23/32	3/4	.466	7/8	.50
	3/4	1-7/16	1-61/64	1	.614	7/8	.80
	1	1-9/16	2-7/16	1-5/16	.815	15/16	1.30
	1-1/4	1-5/8	2-23/32	1-1/2	1.160	13/16	1.60
	1-1/2	1-11/16	3-1/4	1-15/16	1.338	7/8	2.00
	2	2-1/16	4-1/32	2-3/4	1.689	1-3/16	5.15

## SIZE ON SIZE

	Outlet Size Inches	Dimensions					Appx. Weight Pounds
		A	B	C	D	E	
CL 3000	1/2	1	1-3/8	15/16	.622	17/32	.15
	3/4	1-1/16	1-5/8	1-3/16	.824	15/32	.25
	1	1-5/16	2	1-7/16	1.049	23/32	.45
	1-1/4	1-5/16	2-3/8	1-3/4	1.380	9/16	.65
	1-1/2	1-3/8	2-7/8	2	1.610	21/32	.85
	2	1-1/2	3-1/2	2-9/16	2.067	15/16	1.40
	2-1/2	1-9/16	4-1/16	3	2.469	3/4	2.25
	3	1-3/4	4-13/16	3-11/16	3.068	15/16	3.75
	3-1/2	1-11/16	5-3/8	4-7/16	3.548	11/16	4.30
	4	1-7/8	6-1/16	4-3/4	4.026	1-1/16	6.60
	5	2-7/16	7-1/4	5-1/4	5.047	1	9.00
	6	2-11/16	8-11/16	6-1/16	6.065	1-3/16	15.50

Each outlet size listed is available to fit any run curvature.

Socket dimensions are in accordance with ASME B16.11. Design per MSS-SP-97.

RUN PIPE SIZES Outlet sizes noted above fit a number of run pipe sizes, and the fittings are marked accordingly. See page 38 for run pipe size combination table(s).

FLATS A flat Sockolet for use on welding caps, elliptical heads and flat surfaces is available.

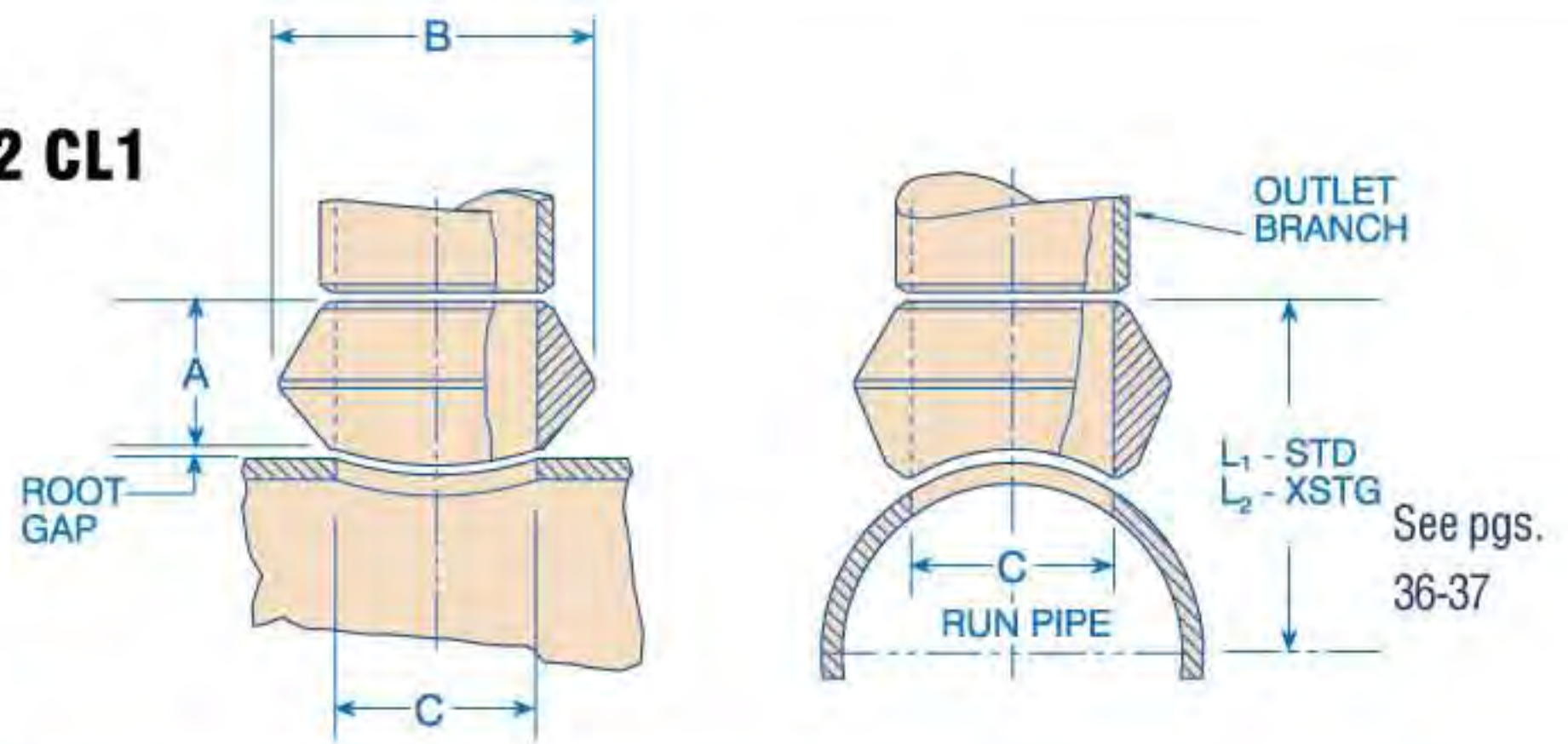
ORDERING When ordering a Sockolet fitting, see page 7.



**BUTT WELDED**

**STANDARD WEIGHT**

**EXTRA STRONG**



	Outlet Size Inches	Dimensions			Appx. Weight Pounds
		A	B	C	
<b>Standard</b>	3/8	3/4	1	0.493	0.10
	1/2	3/4	1-1/8	0.622	0.12
	3/4	7/8	1-1/2	0.824	0.22
	1	1-1/16	1-13/16	1.062	0.32
	1-1/4	1-1/4	2-1/4	1.38	0.64
	1-1/2	1-5/16	2-9/16	1.625	0.78
	2	1-1/2	3-5/16	2.313	1.14
	2-1/2	1-5/8	3-21/32	2.500	1.94
	3	1-3/4	4-9/32	3.125	2.60
	4	2	5-3/8	4.145	4.12
	6	2-3/8	7-21/32	6.112	11.00

	Outlet Size Inches	Dimensions			Appx. Weight Pounds
		A	B	C	
<b>Extra Strong</b>	3/8	3/4	1	0.423	0.10
	1/2	3/4	1-1/8	0.546	0.12
	3/4	7/8	1-1/2	0.742	0.18
	1	1-1/16	1-13/16	1.062	0.36
	1-1/4	1-1/4	2-1/4	1.278	0.55
	1-1/2	1-5/16	2-9/16	1.625	0.68
	2	1-1/2	3-5/16	2.313	1.24
	2-1/2	1-5/8	3-21/32	2.500	2.26
	3	1-3/4	4-9/32	3.125	2.84
	4	2	5-3/8	4.145	4.56
	6	3-1/16	7-23/32	5.800	15.00

Each outlet size listed is available to fit any run curvature.  
 BW Ends per B16.9 and B16.25. Design per MSS-SP-97.

- RUN PIPE SIZES** Outlet sizes 6" and less fit a number of run pipe sizes, and the fittings are marked accordingly. See page 39 for run pipe size combination table(s).
- SCHEDULES** Standard Weight Fittings are the same as schedule 40 fittings through 10". A schedule 40 butt-welded Flexolet for sizes 12" and larger is available. Dimensions and prices on application.  
 Extra Strong Fittings are the same as schedule 80 fittings through 8". A schedule 80 butt-welded Flexolet for sizes 10" and larger is available. Dimensions and prices on application. Pipe schedule numbers and weight designations are in accordance with ASME B36.10.
- FLATS** Flat butt-welded Flexolet fittings for use on welding caps, elliptical heads and flat surfaces is available.
- ORDERING** When ordering a Flexolet fitting, see page 7.





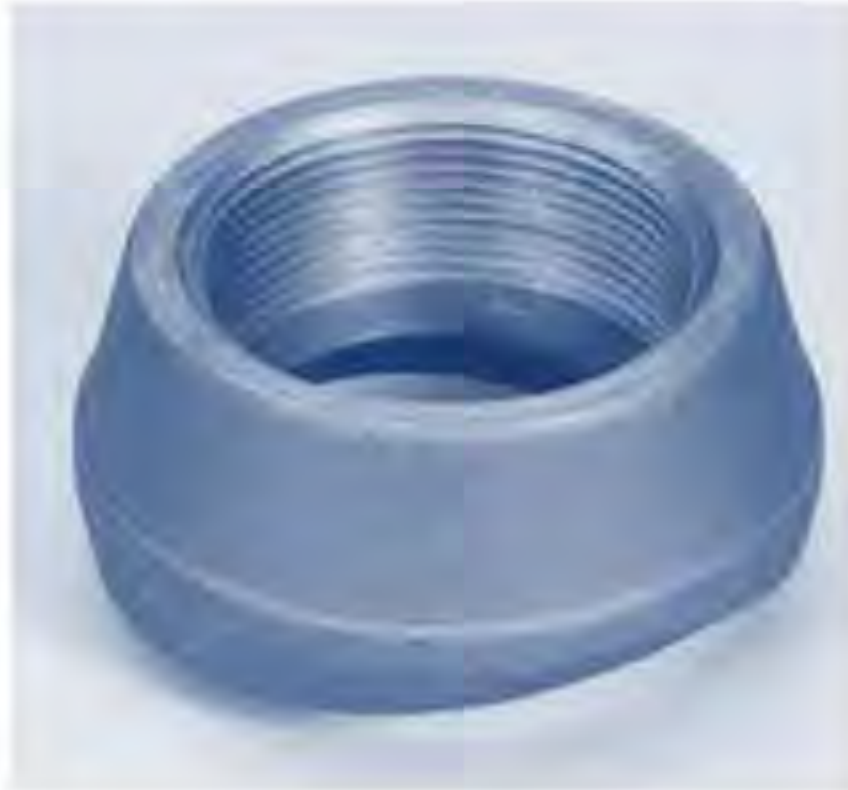
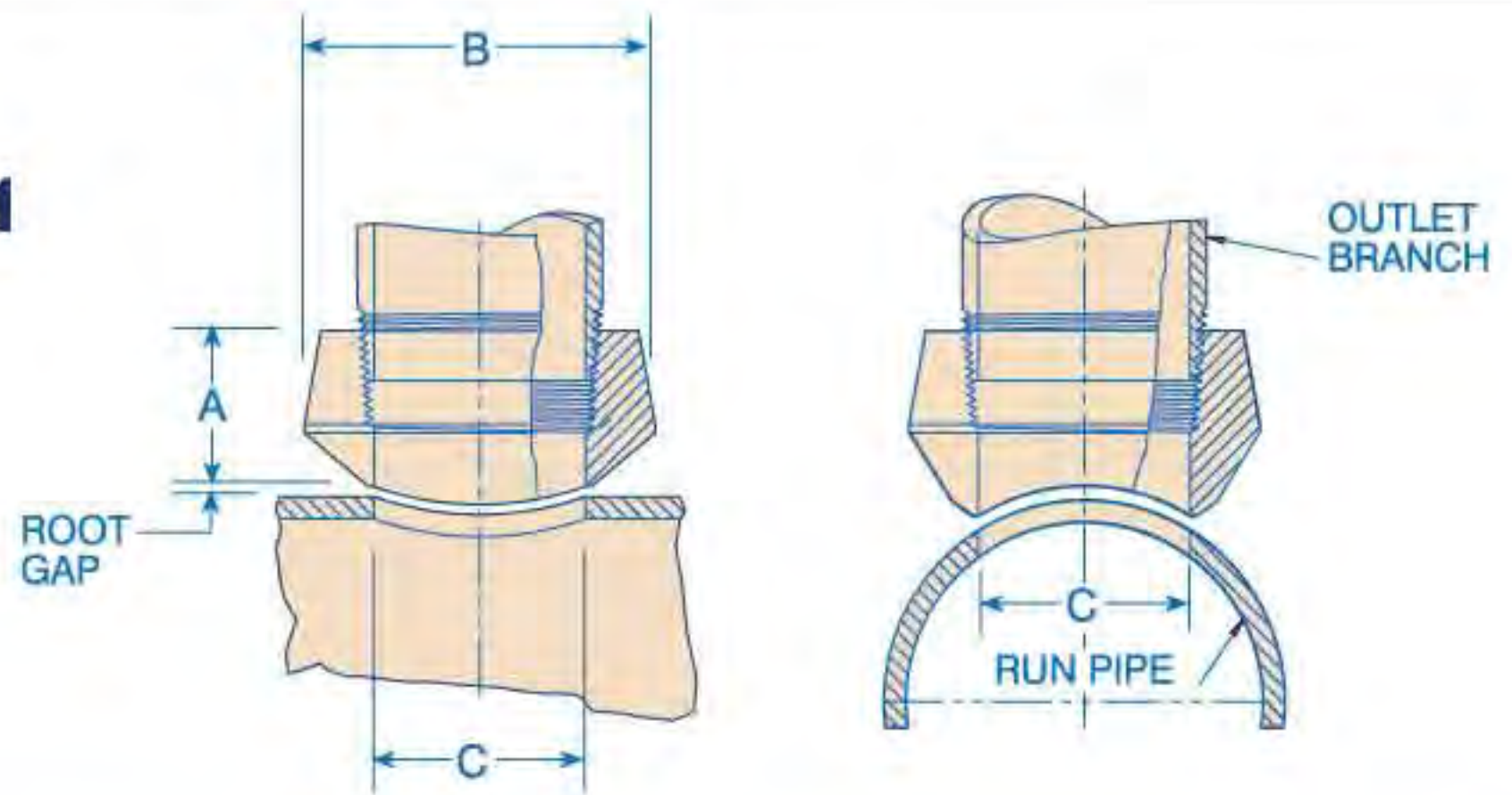
**FLEXOLET™**  
SA/A105 & SA/A350 LF2 CL1

BONNEY FORGE

**THREADED**

**CL 3000**

**CL 6000**



CL 3000	Outlet Size Inches	Dimensions			Appx. Weight Pounds
		A	B	C	
	1/4	3/4	1-1/16	.437	0.14
	3/8	13/16	1-1/16	.578	0.14
	1/2	1	1-15/32	.718	0.28
	3/4	1-1/16	1-45/64	.922	0.39
	1	1-5/16	2-3/32	1.156	0.73
	1-1/4	1-5/16	2-17/32	1.500	0.96
	1-1/2	1-3/8	2-25/32	1.734	1.12
	2	1-1/2	3-5/16	2.218	1.66
	2-1/2	1-13/16	3-29/32	2.625	2.73
	3	2	4-21/32	3.250	3.88
	4	2-1/4	5-13/16	4.250	6.18

CL 6000	Outlet Size Inches	Dimensions			Appx. Weight Pounds
		A	B	C	
	1/4	3/4	1-1/16	.437	0.14
	3/8	1-1/8	1-5/16	.578	0.14
	1/2	1-1/4	1-3/4	.718	0.28
	3/4	1-7/16	2-1/16	.922	0.39
	1	1-9/16	2-17/32	1.156	0.73
	1-1/4	1-5/8	2-1/2	1.500	0.96
	1-1/2	1-11/16	3-5/16	1.734	1.12
	2	2-1/16	3-31/32	2.218	1.66

Each outlet size listed is available to fit any run curvature.  
Threaded ends are in accordance with ANSI/ASME B1.20.1  
Design per MSS-SP-97.

RUN PIPE SIZES Outlet sizes noted above fit a number of run pipe sizes, and the fittings are marked accordingly. See page 39 for run pipe size combination table(s).

FLATS A flat Threaded Flexolet for use on welding caps, elliptical heads and flat surfaces is available.

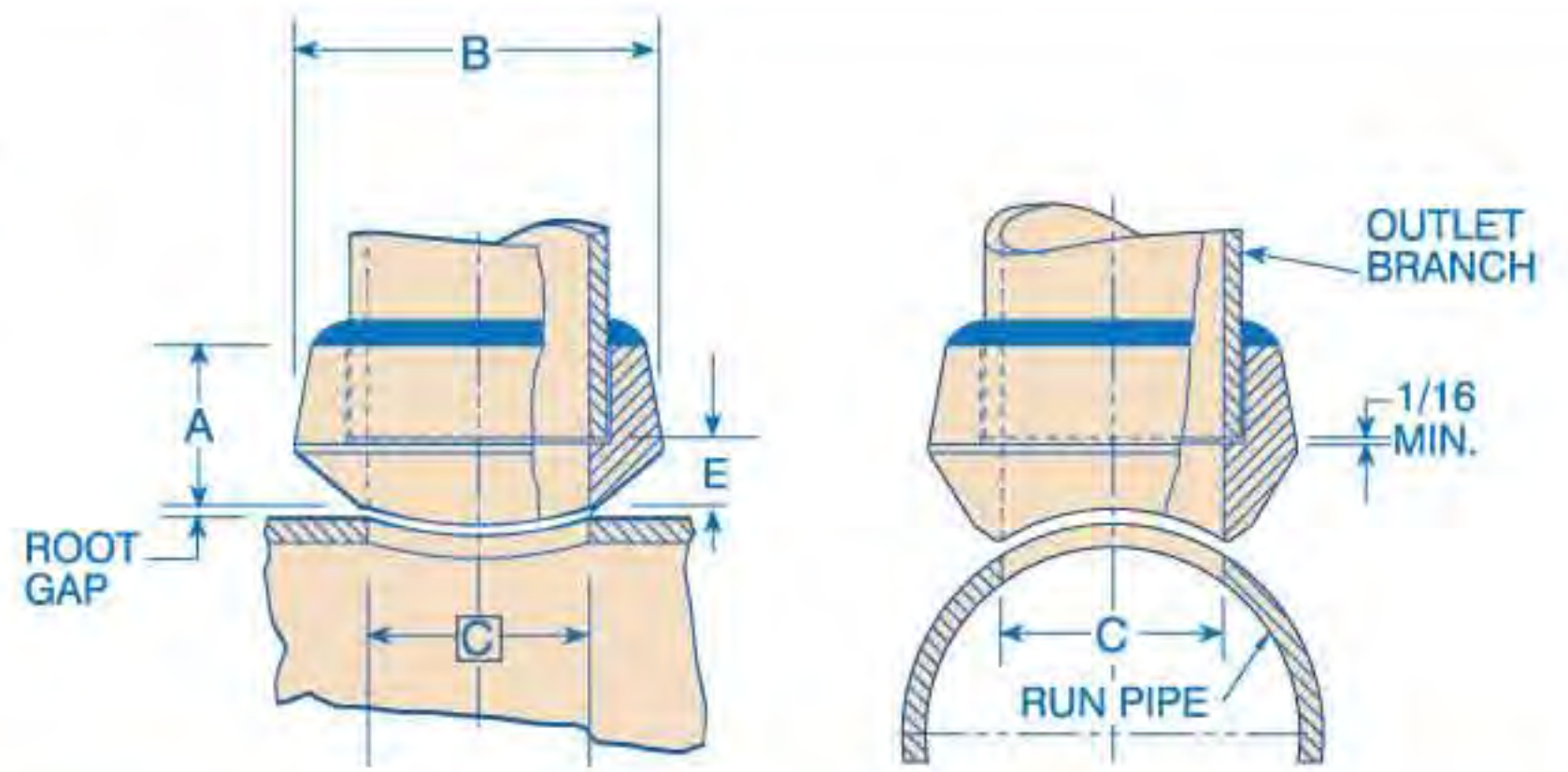
ORDERING When ordering a Flexolet fitting, see page 7.



**SOCKET WELDED**

**CL 3000**

**CL 6000**



CL 3000	Outlet Size Inches	Dimensions				Appx. Weight Pounds
		A	B	C	E	
	1/4	3/4	1	0.364	3/8	0.14
	3/8	13/16	1-1/16	0.493	7/16	0.14
	1/2	1	1-15/32	0.622	9/16	0.28
	3/4	1-1/16	1-45/64	0.824	9/16	0.39
	1	1-5/16	2-3/32	1.049	25/32	0.73
	1-1/4	1-5/16	2-17/32	1.38	23/32	0.96
	1-1/2	1-3/8	2-25/32	1.61	3/4	1.12
	2	1-1/2	3-5/16	2.067	13/16	1.66
	2-1/2	1-13/16	3-29/32	2.469	3/4	2.73
	3	2	4-21/32	3.068	15/16	3.88
	4	2-1/4	5-13/16	4.026	1-1/16	6.60

CL 6000	Outlet Size Inches	Dimensions				Appx. Weight Pounds
		A	B	C	E	
	1/2	1-1/4	1-3/4	.464	13/16	0.28
	3/4	1-7/16	2-1/16	.612	15/16	0.39
	1	1-9/16	2-17/32	.815	1-1/32	0.73
	1-1/4	1-5/8	2-1/2	1.16	1-1/32	0.96
	1-1/2	1-11/16	3-5/16	1.338	1-1/16	1.63
	2	2-1/16	3-31/32	1.687	1-3/8	1.66

Each outlet size listed is available to fit any run curvature.

Socket dimensions are in accordance with ASME B16.11.

Design per MSS-SP-97.

RUN PIPE SIZES Outlet sizes noted above fit a number of run pipe sizes, and the fittings are marked accordingly. See page 39 for run pipe size combination table(s).

FLATS A flat Socket-welded Flexolet for use on welding caps, elliptical heads and flat surfaces is available.

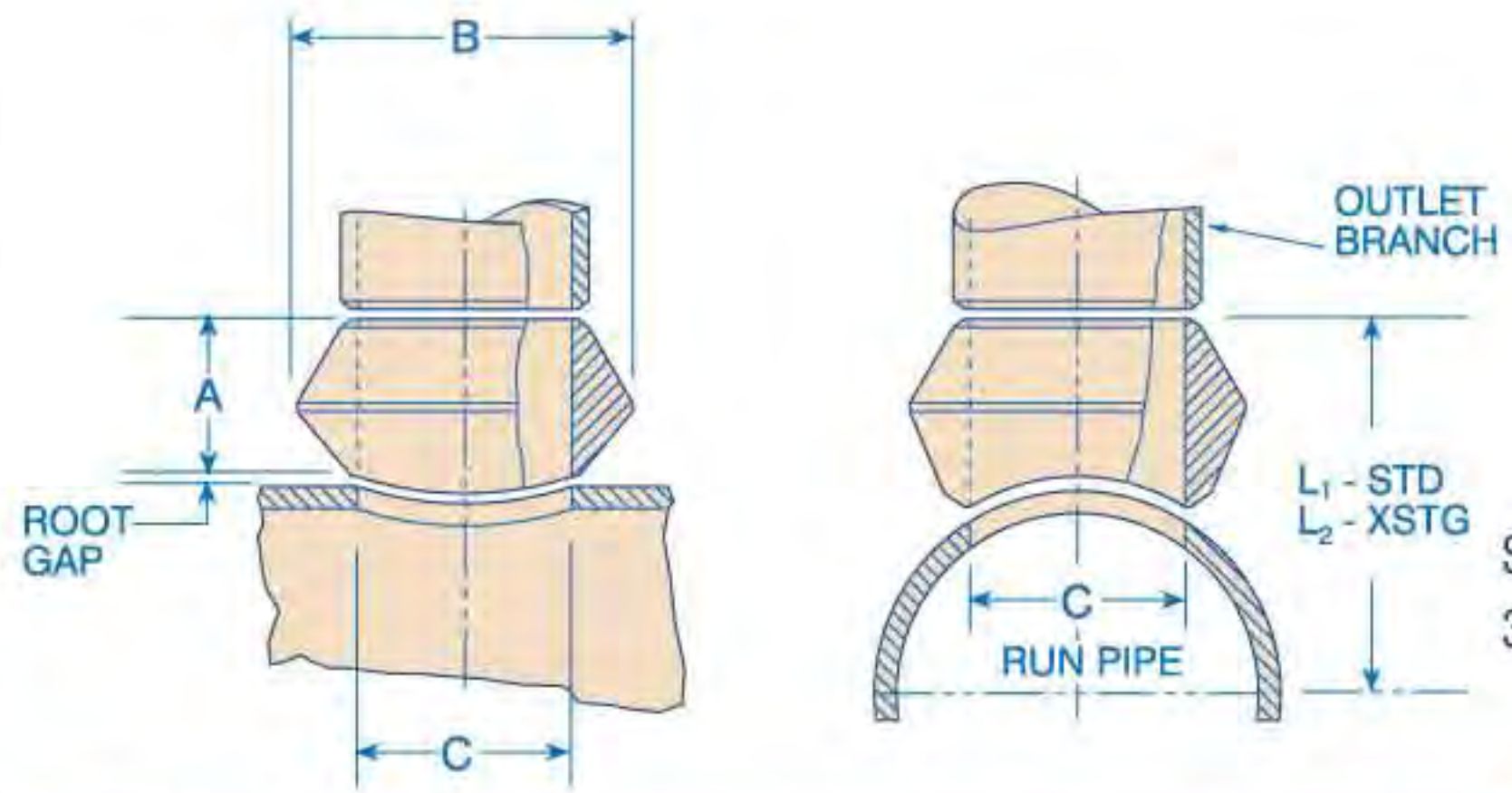
ORDERING When ordering a Flexolet fitting, see page 7.



**BUTT WELDED**

**STANDARD WEIGHT**

**EXTRA STRONG**



See pgs.  
36-37

	Outlet Size Inches	Dimensions			Appx. Weight Pounds
		A	B	C	
Standard	3/8	3/4	1	0.493	0.09
	1/2	3/4	1-1/8	0.622	0.12
	3/4	7/8	1-1/2	0.824	0.28
	1	1-1/16	1-3/4	1.049	0.34
	1-1/4	1-1/4	2-1/4	1.38	0.72
	1-1/2	1-5/16	2-1/2	1.610	0.90
	2	1-1/2	3	2.067	1.12
	2-1/2	1-5/8	3-5/8	2.469	2.31
	3	1-3/4	4	3.068	2.50
	4	2	5	4.026	5.89
	6	2-3/8	7-1/2	6.065	10.50

	Outlet Size Inches	Dimensions			Appx. Weight Pounds
		A	B	C	
Extra Strong	3/8	3/4	1	0.423	0.15
	1/2	3/4	1-1/8	0.546	0.12
	3/4	7/8	1-1/2	0.742	0.21
	1	1-1/16	1-3/4	0.957	0.43
	1-1/4	1-1/4	2-1/4	1.278	0.69
	1-1/2	1-5/16	2-1/2	1.500	0.89
	2	1-1/2	3	1.939	1.25
	2-1/2	1-5/8	3-1/2	2.323	2.63
	3	1-3/4	4	2.900	3.82
	4	2	5	3.826	6.17
	6	3-1/16	7-1/2	5.761	15.06

Each outlet size listed is available to fit any run curvature.

BW Ends per B16.9 and B16.25. Design per MSS-SP-97.

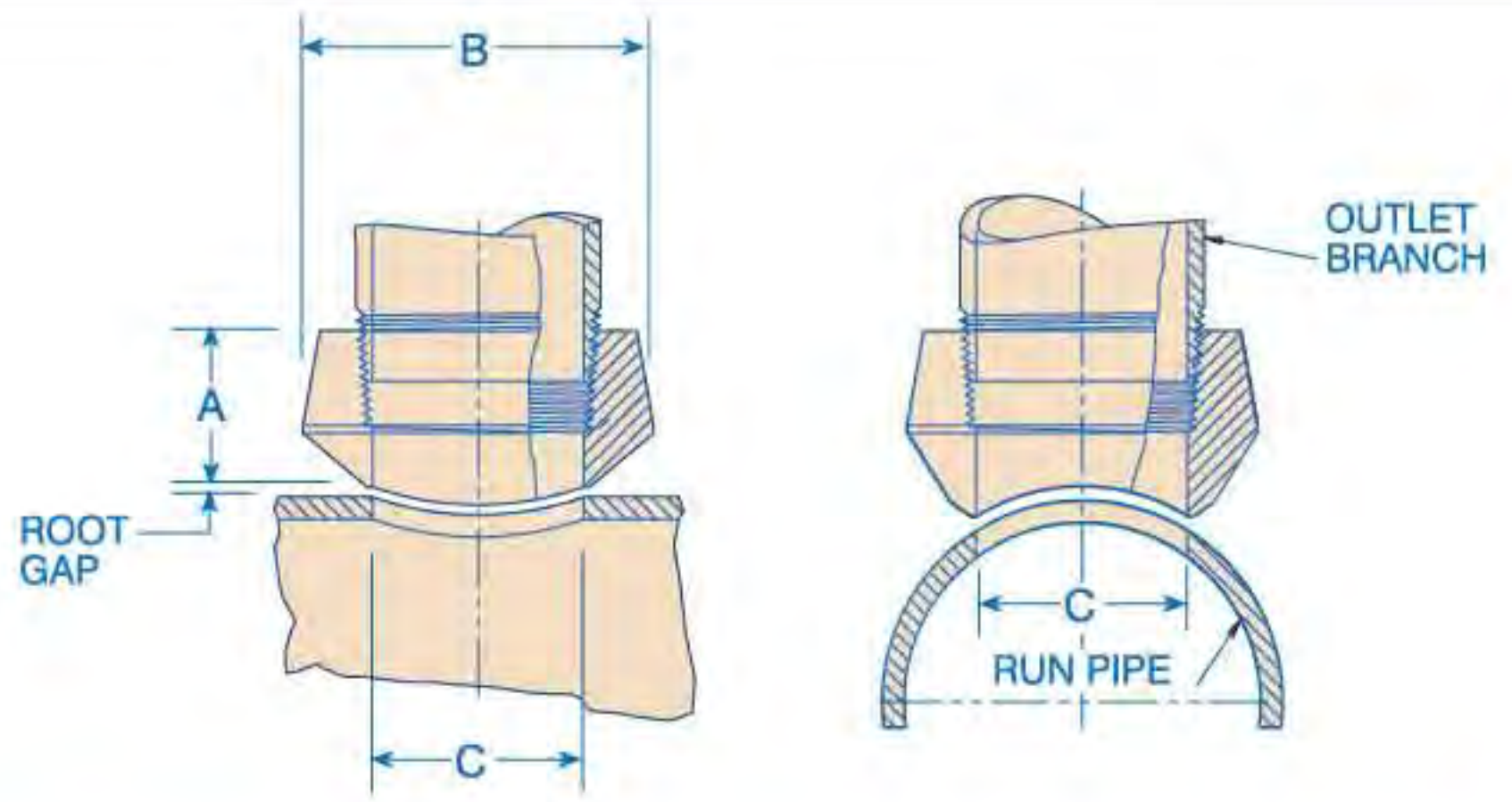
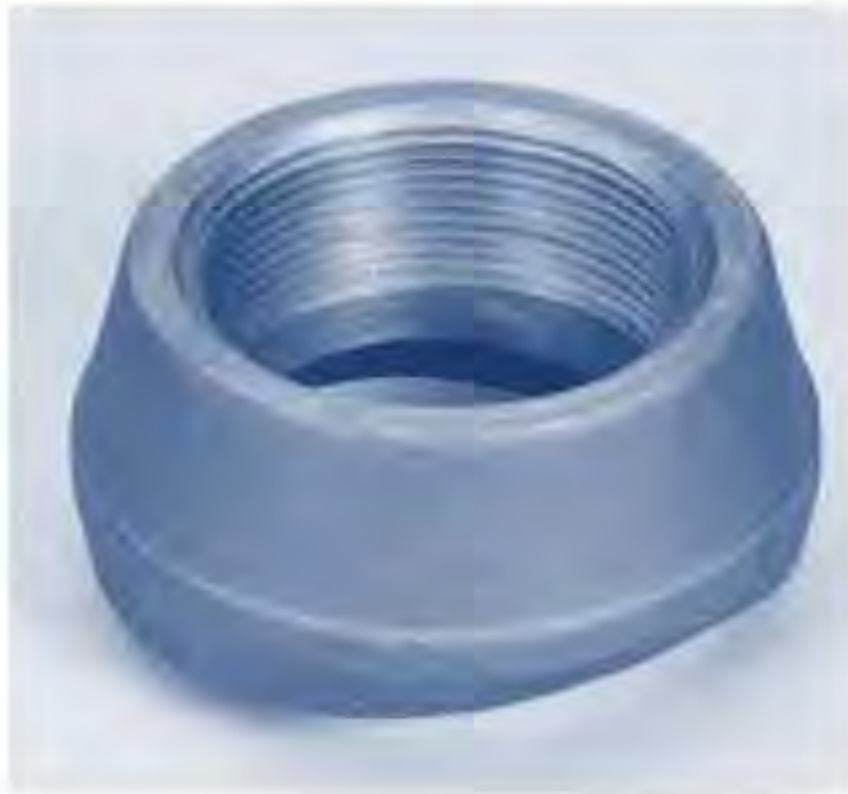
- RUN PIPE SIZES Outlet sizes 6" and less fit a number of run pipe sizes, and the fittings are marked accordingly. See page 40 for run pipe size combination table(s).
- SCHEDULES Standard Weight Fittings are the same as schedule 40 fittings through 10". A schedule 40 butt-welded Flexolet for sizes 12" and larger is available. Dimensions and prices on application. Extra Strong Fittings are the same as schedule 80 fittings through 8". A schedule 80 butt-welded Flexolet for sizes 10" and larger is available. Dimensions and prices on application. Pipe schedule numbers and weight designations are in accordance with ASME B36.10.
- FLATS Flat butt-welded Flexolet fittings for use on welding caps, elliptical heads and flat surfaces is available.
- ORDERING When ordering a Flexolet fitting, see page 7.



**THREADED**

**CL 3000**

**CL 6000**



CL 3000	Outlet Size Inches	Dimensions			Appx. Weight Pounds
		A	B	C	
	1/4	3/4	7/8	.437	0.14
	3/8	13/16	1	.578	0.14
	1/2	1	1-1/4	.718	0.28
	3/4	1-1/16	1-1/2	.922	0.39
	1	1-5/16	1-7/8	1.156	0.73
	1-1/4	1-5/16	2-1/4	1.500	0.96
	1-1/2	1-3/8	2-1/2	1.734	1.12
	2	1-1/2	3	2.218	1.66

CL 6000	Outlet Size Inches	Dimensions			Appx. Weight Pounds
		A	B	C	
	1/4	1-1/8	1	.437	0.14
	3/8	1-1/8	1-1/4	.578	0.14
	1/2	1-1/4	1-1/2	.718	0.28
	3/4	1-7/16	1-3/4	.922	0.39
	1	1-9/16	2-1/4	1.156	0.73
	1-1/4	1-5/8	2-1/2	1.500	0.96
	1-1/2	1-11/16	3	1.734	1.63
	2	2-1/16	3-5/8	2.218	1.66

Each outlet size listed is available to fit any run curvature.

Threaded ends are in accordance with ANSI/ASME B1.20.1

Design per MSS-SP-97.

RUN PIPE SIZES Outlet sizes noted above fit a number of run pipe sizes, and the fittings are marked accordingly. See page 40 for run pipe size combination table(s).

FLATS A flat Threaded Flexolet for use on welding caps, elliptical heads and flat surfaces is available.

ORDERING When ordering a Flexolet fitting, see page 7.



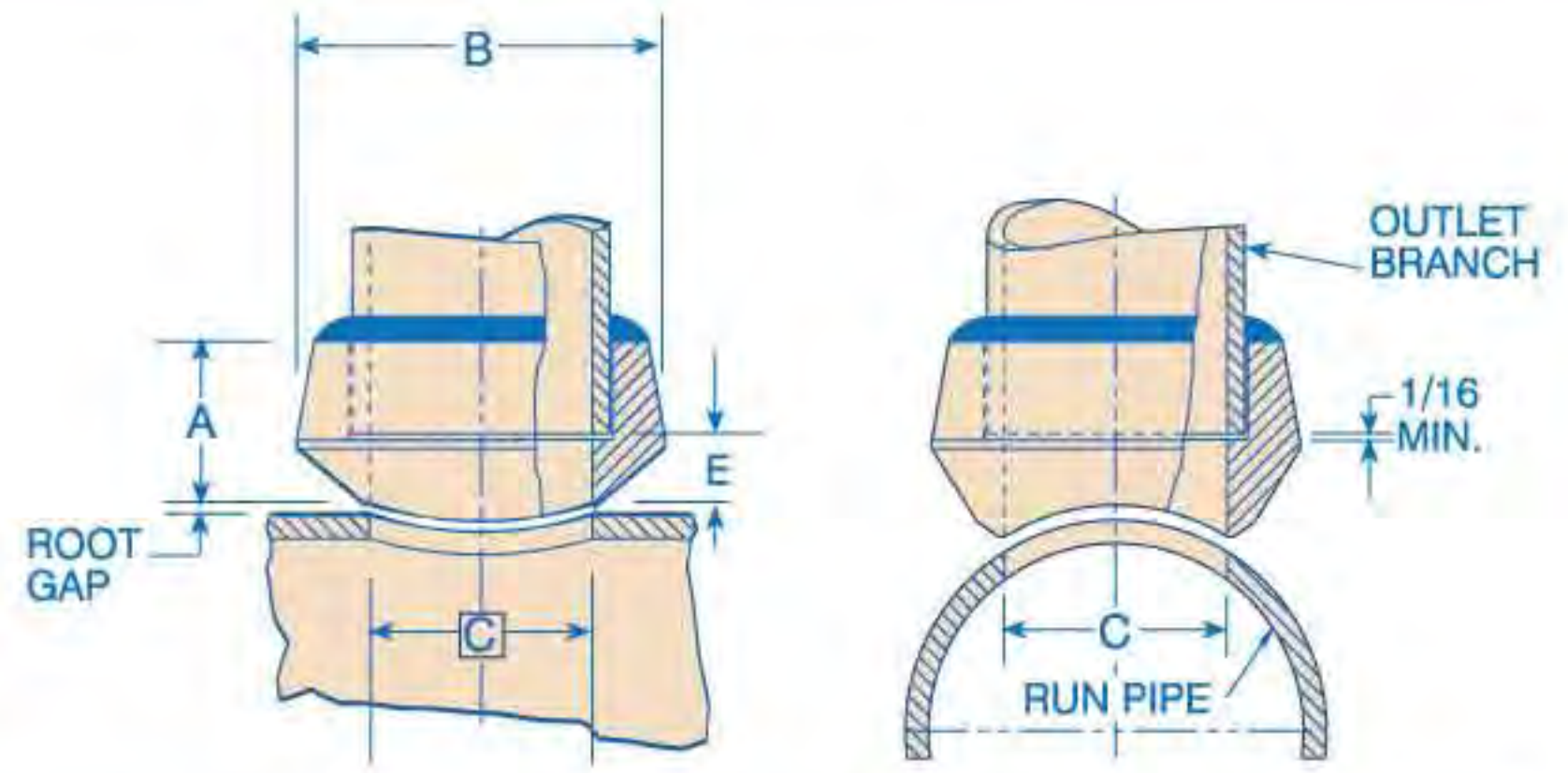


**FLEXOLET™**  
STAINLESS & ALLOY

**SOCKET WELDED**

**CL 3000**

**CL 6000**



CL 3000	Outlet Size Inches	Dimensions				Appx. Weight Pounds
		A	B	C	E	
	1/4	3/4	7/8	0.364	3/8	0.14
	3/8	13/16	1-1/16	0.493	7/16	0.14
	1/2	1	1-1/4	0.622	9/16	0.28
	3/4	1-1/16	1-1/2	0.824	9/16	0.39
	1	1-5/16	1-7/8	1.049	25/32	0.73
	1-1/4	1-5/16	2-1/4	1.38	23/32	0.96
	1-1/2	1-3/8	2-1/2	1.61	3/4	1.12
	2	1-1/2	3	2.067	13/16	1.66

CL 6000	Outlet Size Inches	Dimensions				Appx. Weight Pounds
		A	B	C	E	
	1/2	1-1/4	1-3/8	.464	13/16	0.28
	3/4	1-7/16	1-3/4	.612	15/16	0.39
	1	1-9/16	2	.815	1-1/32	0.73
	1-1/4	1-5/8	2-1/2	1.16	1-1/32	0.96
	1-1/2	1-11/16	2-3/4	1.338	1-1/16	1.63
	2	2-1/16	3-3/8	1.687	1-3/8	1.66

Each outlet size listed is available to fit any run curvature.

Threaded ends are in accordance with ANSI/ASME B1.20.1

Design per MSS-SP-97.

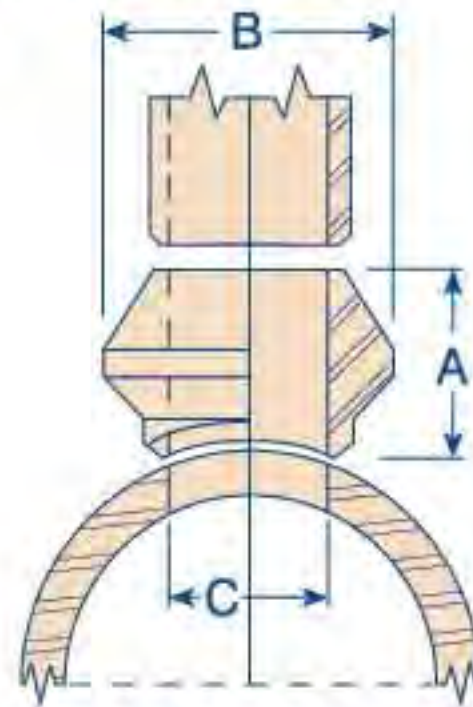
- RUN PIPE SIZES      Outlet sizes noted above fit a number of run pipe sizes, and the fittings are marked accordingly. See page 40 for run pipe size combination table(s).
- FLATS                      A flat Socket-welded Flexolet for use on welding caps, elliptical heads and flat surfaces is available.
- ORDERING                When ordering a Flexolet fitting, see page 7.



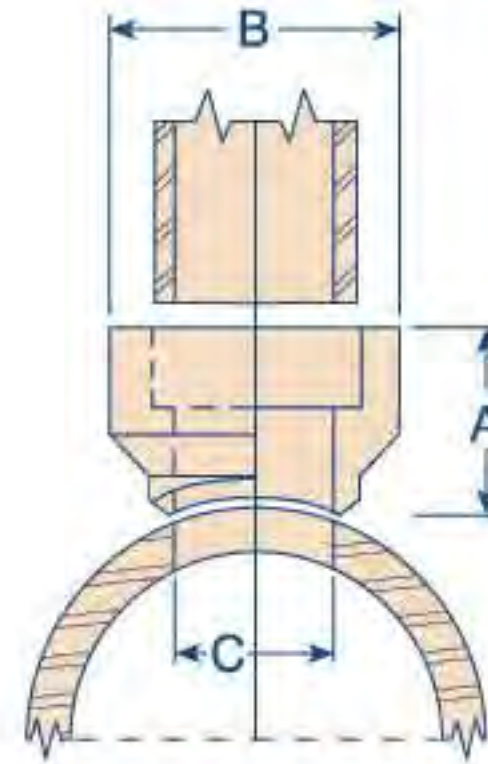
**BUTT WELDED**

**THREADED**

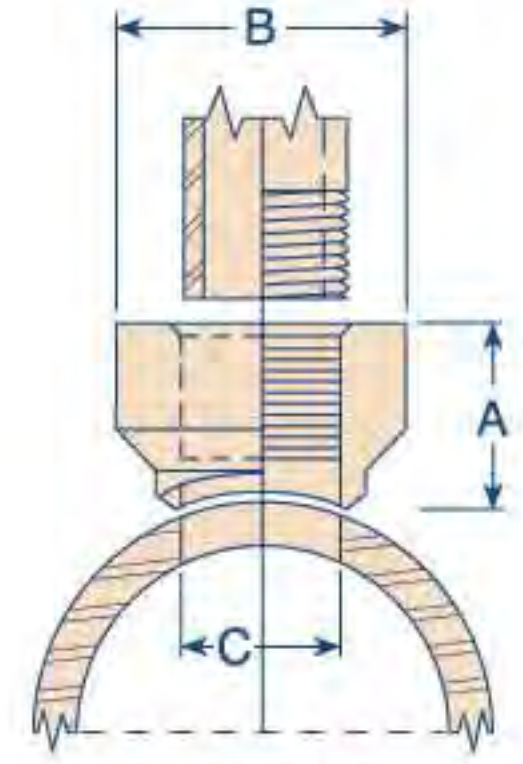
**SOCKET WELDED**



CL 300 BUTT-WELD



S10s SOCKET-WELD



LW THREADED

Outlet Size Inches	BUTT WELDED				THREADED*				SOCKET WELDED*					
	Dimensions			Appx. Wt/Lb	Dimensions			Appx. Wt/Lb	Dimensions			Appx. Wt/Lb		
	A	B	C		A	B	C		A	B	C			
										3M	5s	10s		
1/8	5/8	7/8	C = ID of specified branch pipe							3M provided unless otherwise specified				
1/4	5/8	7/8												
3/8	3/4	1												
1/2	3/4	1-1/8		0.10	1	1-1/4	0.719	0.25	1	1-1/4	0.622	0.710	0.674	0.24
3/4	7/8	1-1/2		0.23	1-1/16	1-1/2	0.922	0.35	1-1/16	1-1/2	0.824	0.920	0.884	0.34
1	1-1/16	1-3/4		0.26	1-5/16	1-7/8	1.156	0.65	1-5/16	1-7/8	1.049	1.185	1.097	0.63
1-1/4	1-1/4	2-1/4		0.61	1-5/16	2-1/4	1.500	0.80	1-5/16	2-1/4	1.380	1.530	1.442	0.79
1-1/2	1-5/16	2-1/2		0.78	1-3/8	2-1/2	1.734	0.92	1-3/8	2-1/2	1.610	1.770	1.682	0.91
2	1-1/2	3		0.89	1-1/2	3	2.219	1.40	1-1/2	3	2.067	2.245	2.157	1.37
2-1/2	1-5/8	3-3/8		2.17										
3	1-3/4	4		2.27										
3-1/2	1-7/8	4-1/2		4.27										
4	2	5		4.37										
5	2-1/4	6-1/16		6.09										
6	2-3/8	7-1/8	10.19											

\*Branch dimensions are in accordance with ASME B16.11 CL 3M.

**Benefits**

- Reduces Welding  
 Reduces weld volume and welding time by more than 50% compared to traditional designs.
- Reduces Header Weld Cross Section  
 Allows full penetration groove welds without "suck in" or distortion.
- Reduces Heat Build Up  
 Reduces run pipe heat distortion.
- Is Used on All Run Pipe Thicknesses  
 (CL300) S5s/10s & LW design can be used with any schedule or thickness run pipe in B16.5 Class 150 & Class 300 piping systems.
- Meets Piping Codes & Standards  
 Burst Tests, Markl Fatigue Tests, Finite Element Analysis, MSS-SP-97, ASME B31.1 & B31.3, ASME/ANSI B16.9 & B16.11.

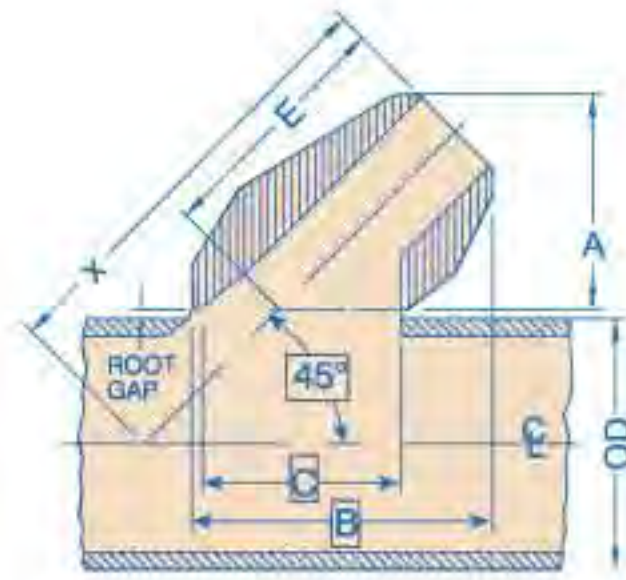
**Identification**

- Specify Butt-Weld as follows:*
- Light Wall x Branch Schedule: 10" LW x 2" S40s
  - Run Schedule x Branch Schedule: 10" S10s x 2" S40s
  - CL300 x Branch Schedule: 10" CL300 x 2" Std Wt\*
- Specify Socket-Weld & Threaded as follows:*
- Light Wall x Branch Class: 10" LW x 2" CL 3M SWP
  - Run Wall x Branch Class: 10" S10s x 2" CL 3M THD
  - 10" S40s x 2" CL 3M THD
  - LW\*\*
  - CL300 x Branch Class: 10" CL300 x 2" CL 3M THD\*
- \*Fittings designated CL300 can be installed on any run pipe thickness (S10s, Std, XS, S160, XXS) in B16.5 Class 150 or Class 300 Piping Systems.
- \*\*To obtain S10s/LW/CL300 design for run pipes thicker than S10s, either LW or CL300 must be specified.

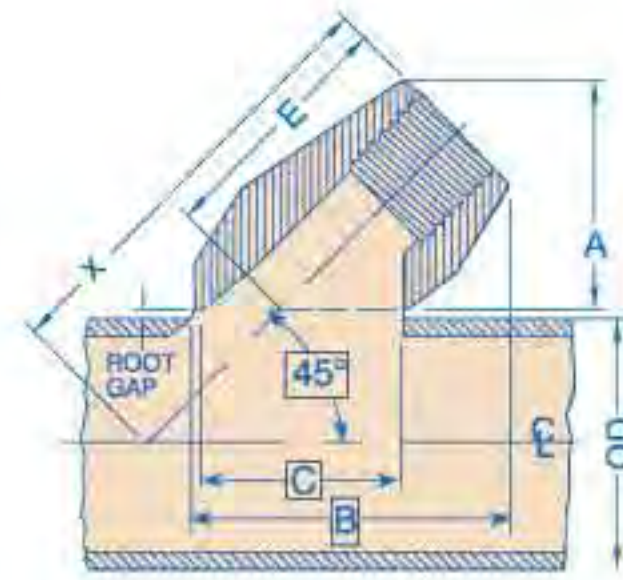


**45° CONNECTIONS**

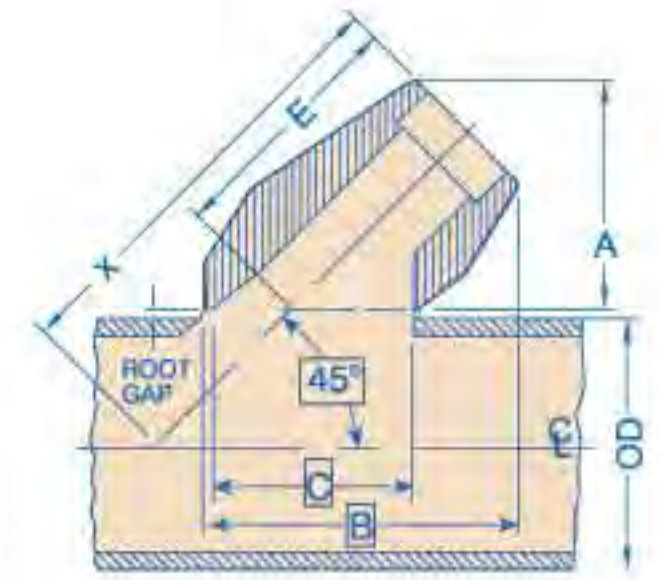
**FORGED**



BUTT WELD

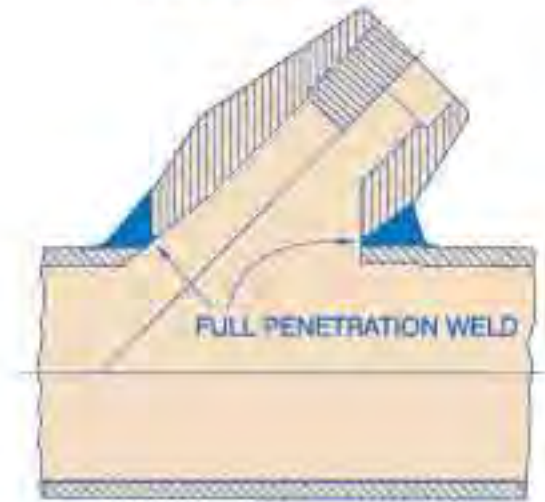


THREADED



SOCKET-WELD

**45° BRANCH CONNECTIONS  
THREADED, SOCKET-WELD AND BUTT-WELD ENDS**

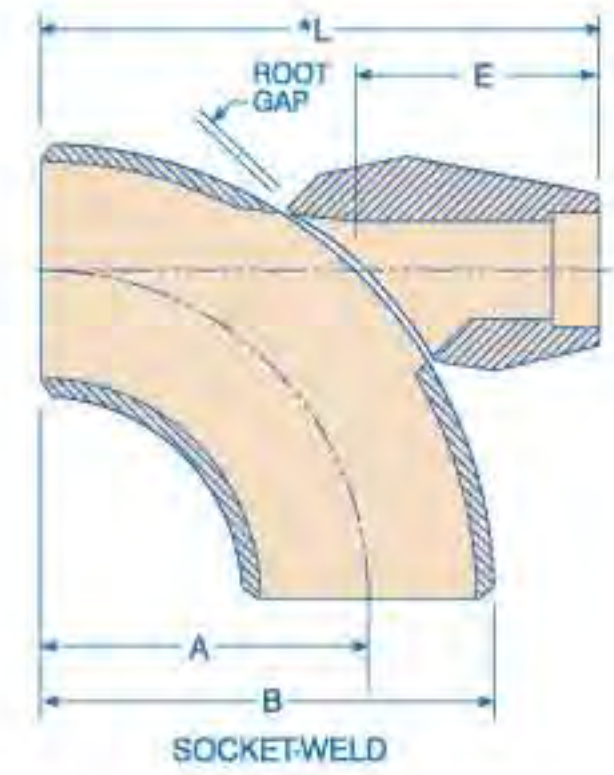
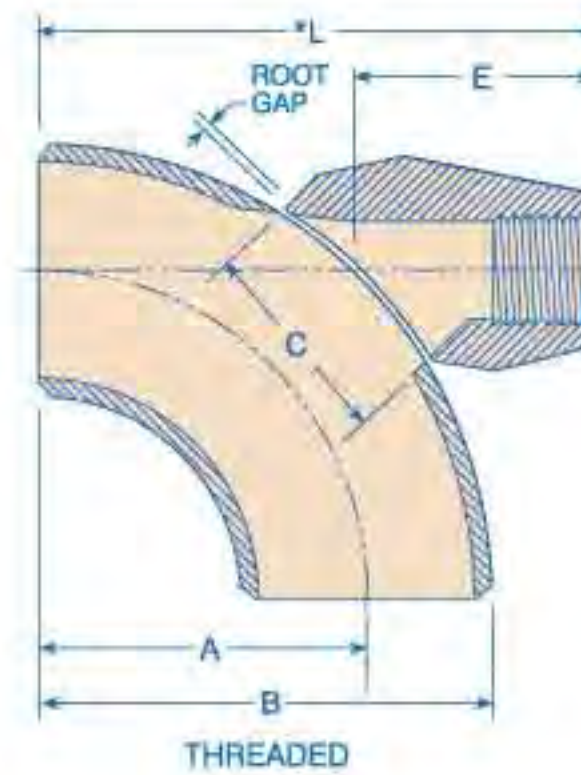
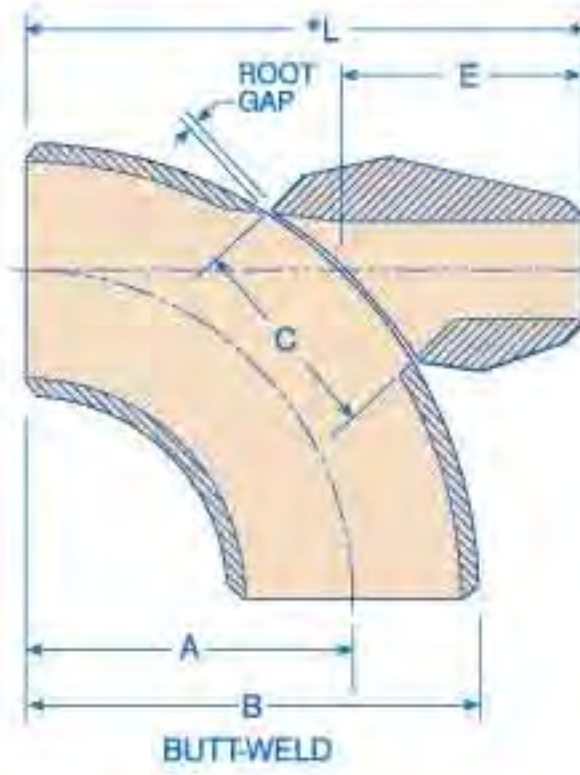


Nominal Run Pipe Size	Outlet Size	Dimensions															
		CL 3000 Threaded and Socket-Weld				CL 6000 Threaded and Socket-Weld				STD & XS Butt-Weld				Sch. 160 and XXS Butt-Weld			
		A	B	C	E	A	B	C	E	A	B	C	E	A	B	C	
2-1/2 12	-1-1/4 -3	1/4	1-9/16	2-11/32	1-7/16	1-9/16	1-9/16	2-11/32	1-7/16	1-9/16	1-5/16	2-3/32	1-7/16	1-9/16	1-9/16	2-5/16	1-7/16
2-1/2 12	-1-1/4 -3	3/8	1-9/16	2-11/32	1-7/16	1-9/16	1-9/16	2-11/32	1-7/16	1-9/16	1-5/16	2-3/32	1-7/16	1-9/16	1-9/16	2-5/16	1-7/16
2-1/2 12	-1-1/4 -3	1/2	1-9/16	2-11/32	1-7/16	1-9/16					1-3/8	2-5/32	1-7/16	1-9/16			
1-1/2 5 12	-1-1/4 -2 -6	1/2					1-7/8	2-3/4	1-3/4	1-29/32					1-13/16	2-3/4	1-3/4
1-1/2 5 12	-1-1/4 -2 -6	3/4	1-7/8	2-3/4	1-3/4	1-29/32					1-11/16	2-17/32	1-3/4	1-29/32			
2-1/2 5 12	-2 -3 -6	3/4					2-3/16	3-1/4	2-1/8	2-3/16					2-1/8	3-1/4	2-1/8
2-1/2 5 12	-2 -3 -6	1	2-3/16	3-1/4	2-1/8	2-3/16	2-1/2	3-21/32	2-5/8	2-15/32	1-31/32	3	2-1/8	2-3/16	2-1/2	3-13/16	2-5/8
2-1/2 5 12	-2 -3 -6	1-1/4	2-1/2	3-27/32	2-5/8	2-15/16	2-3/4	4-7/32	3-1/32	2-5/8	2-9/32	3-19/32	2-5/8	2-15/32	2-3/4	4-1/4	3
2-1/2 5 12	-2 -3 -6	1-1/2	2-3/4	4-7/32	3-1/32	2-5/8					2-15/32	3-31/32	3-1/32	2-5/8			
5 8 12	-4 -6 -10	1-1/2					3-3/8	5-7/16	4-1/8	3-5/32					3-3/8	5-3/8	4-1/8
5 8 12	-4 -6 -10	2	3-3/8	5-7/16	4-1/8	3-5/32	3-3/8	5-7/16	4-1/8	3-5/32	3-3/16	5-1/4	4-1/8	3-13/32			
5 8 12	-4 -6 -10	2-1/2									3-5/32	5-3/16	4-1/8	3-5/32			
Order to Specific Run Pipe Sizes	3										3-13/16	6-1/4	4-31/32	3-25/32			
	4										4-3/4	7-13/16	6-7/16	4-9/16			

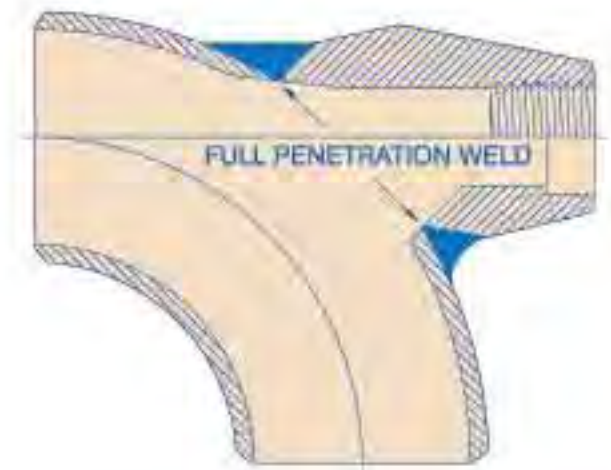
Also available for run sizes through 36".  
 $x = (OD/2 + \text{Root Gap}) / .7071 + E$   
 See footnotes at bottom of page 25.



**90° Long Radius  
FORGED**



**FOR ELBOW OUTLETS  
THREADED, SOCKET-WELD AND BUTT-WELD ENDS**



Nominal Elbow Size Inches	Outlet Size Inches	Dimensions			
		CL 3000 Threaded & Socket-Weld Std. & XS Butt-Weld		CL 6000 Threaded & Socket-Weld Sch. 160 & XXS Butt-Weld	
		C	E	C	E
36 - 3/4	1/4	1-1/2	1-19/32	1-1/2	1-19/32
36 - 3/4	3/8	1-1/2	1-19/32	1-1/2	1-19/32
36 - 3/4	1/2	1-1/2	1-19/32	1-23/32	1-7/8
36 - 1	3/4	1-23/32	1-7/8	2-1/4	2-1/4
36 - 2	1	2-1/4	2-1/4	2-7/8	2-1/2
36 - 2	1-1/4	2-7/8	2-1/2	3-1/8	2-11/16
36 - 2	1-1/2	3-1/8	2-11/16	4-3/16	3-1/4
36 - 3	2	4-3/16	3-1/4		
Order to Specific Elbow Sizes	**2-1/2	4-3/16	3-1/4	**	**
	**3	5-1/16	3-7/8		
	**4	6-5/8	4-13/16		
	**6	9-3/8	6-1/2		
	**8	13-5/16	8-1/16		
	**10	17-1/32	10-3/8		
	**12	19-5/8	11-1/8		

**Footnotes applying to the Elbolet and Latrolet:**

Socket Dimensions to ASME B16.11

Thread Dimensions to ANSI/ASME B1.20.1

Butt-welding End Dimensions to ASME B16.9 & B16.25

Each Elbolet 2" & smaller is uniquely designed to fit all the elbow sizes shown. The complete size range interchangeability is so marked on the fitting.

\*\* Available as Butt-Welding outlets only. Larger sizes available - STD/XS/S160/XXS.

ORDERING When ordering Elbolet/Latrolet fittings - see page 7.

\*  $L = E + \sqrt{B^2 - A^2} + \text{Root Gap}$





BONNEY FORGE

## BACKGROUND

The piping industry has retained the theory of "area replacement" for adequate and acceptable branch pipe reinforcement and very little basic improvement in branch pipe construction has taken place or indeed seemed possible. Area replacement has been the only premise outlined by Code for adequate reinforcement: the Codes have not considered the shape of such reinforcement. It is evident that some shapes would be more efficient than others, and as a result more replacement area with a poor shape might be less satisfactory than less area with an appropriate shape.

The basic methods of lap type reinforcement outlined in Codes are known to have serious drawbacks, namely, that the geometry creates areas of high stress concentrations. They have an inherent crack at the inside edge of the fillet weld as well as points of high stress where the pad joins the run pipe and where the nozzle intersects the pad or run.

These drawbacks are of increasing concern when high yield pipe is used and for other critical service applications such as nuclear. On softer materials such as Grade A or Grade B pipe the localized areas of high stress tend to be relieved by local yielding and generally do not adversely affect the serviceability of the joint unless cyclic loading is involved or there is a propensity for brittle fracture.

## DESIGN

The Sweepolet® concept evolved from two premises, namely, reinforcement must be sufficient to limit deformations and that an efficient branch construction would result from controlling the geometry of the intersection on all planes.

A Sweepolet fitting provides the required stiffening (reinforcement at the most critical point, the juncture of the branch and header) with essentially no peak stresses. Owing to the aesthetic proportions of a Sweepolet, designers intuitively know that it is an efficient branch outlet construction – and tests have proved it! As a result of experimental stress analysis from brittle lacquer to sophisticated and accurate three-dimensional photoelasticity, it has been shown that the Sweepolet embodies quantitatively all desirable features in their optimum relationship.

## CODE COMPLIANCE

The Sweepolet is a contoured, integrally reinforced insert welding fitting developed by Bonney Forge. They have been approved for all critical-service applications including Class 1 Nuclear piping.

The Codes have always anticipated the development of fittings such as our Sweepolet and approve their use.

For example:

### ASME B31.3, PROCESSING PIPING

Paragraphs 302.2, 304.3, 326 and 328.5.4 recognize and approve the use of special fittings.

### ASME B31.1, POWER PIPING

Paragraphs 102.2, 104.3, 126 and 127.4.8 similarly recognize and approve the use of special fittings.

### ASME B31.4, Liquid Transportation Systems

Paragraphs 402.2, 404.3, 406.5, 426 similarly recognize and approve the use of special fittings.

### ASME B31.8, Gas Transmission and Distribution Piping Systems

Paragraph 831.3 similarly recognize and approve the use of special fittings.

The Sweepolet complies with the requirements of ASME B16.9 "Factory-Made Wrought Steel Butt Welding Fittings" and therefore satisfies various sections of the above noted ASME Codes for Pressure Piping.

Additionally, an examination of the drawings in this catalog and/or the fittings themselves, show the vast improvement in this design over any other type of piping branch construction for resisting stresses in high yield pipe. Testing and in-service applications have already proven the serviceability of our Sweepolet product line and due to the substantial cost savings gained by using Sweepolets, anyone concerned with critical piping systems should be interested in the use of this product.

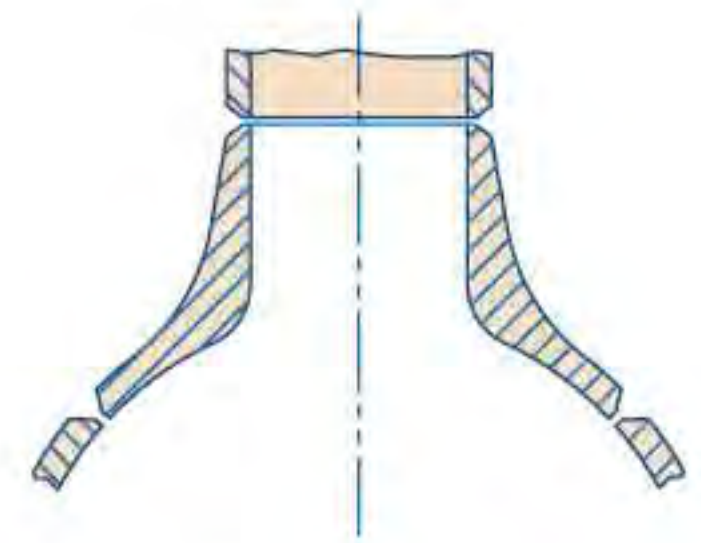
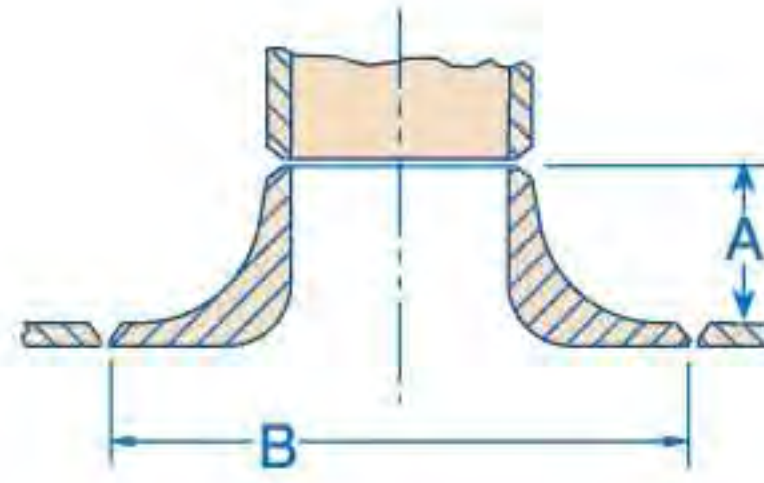
## RESEARCH & DEVELOPMENT

Ever since Bonney Forge first began to question the basic premise of area replacement alone, intensive studies and research have been conducted by our engineers. It was soon found that the Pressure Vessel Industry was doing likewise. All signs of the Pressure Vessel Research Committee's work on branch connections, both published and unpublished, point to the general shape of the Sweepolet. In fact, two of the nationally recognized pressure vessel and piping codes now contain requirements as to "area placement" in addition to the long-standing requirement on "area replacement." In the meantime, the Sweepolet was independently conceived, developed, tested, sold and put into operation on pipelines, atomic reactor vessels, missile launching systems and numerous critical piping systems.

In general, Bonney Forge's position is that shape influences the efficiency of reinforcement as much or more than area provided by the indiscriminate application of area replacement rules. This theorem has appeared in Bonney Forge literature for years and has been the subject of many discussions with piping and pressure vessel designers during the last two decades. The question is: "What is the optimum shape and proper amount of reinforcement?" The answer is "Sweepolets! Experimental stress analyses, from brittle lacquer to sophisticated and accurate 3-dimensional photoelasticity have shown that the Sweepolet embodies quantitatively all desirable features in the optimum relationship."



**FORGED**



Run Size	Outlet Size	Dimensions	
		A*	B
6 to 36	1-1/4"	1-1/4	4
6 to 36	1-1/2"	1-3/4	5-1/2
6 to 36	2"	1-1/2	5-1/2
6 to 36	3"	1-21/32	7
6 to 36	4"	2-1/32	8-3/4
10 to 36	6"	2-11/16	13
12 to 36	8"	3	15
16 to 36	10"	3-1/8	18-1/2
16 to 36	12"	3-5/16	20-1/2
20 to 36	14"	3-5/8	24
24 to 36	16"	3-3/4	28
24 to 36	18"	4-5/8	31
24 to 36	20"	5-1/8	33
30 to 36	24"	5-5/8	38

**Forged Sweepolet fittings are available in outlet sizes for standard, extra strong and heavier run wall thicknesses. Inquiries are invited.** Full size and first reduction Sweepolet are not manufactured.

**SWEEPOLET FITTINGS**

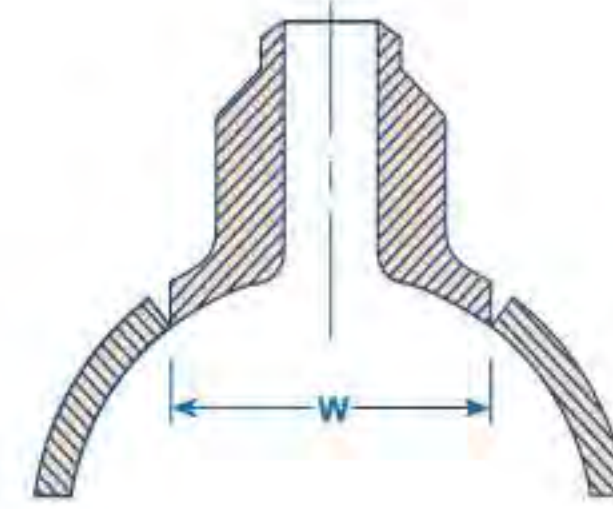
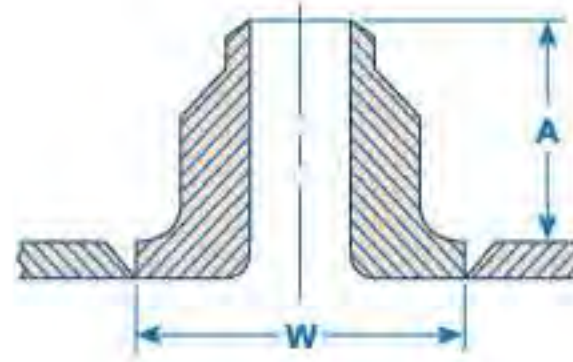
Orders and inquiries should provide the following information.

- 1) Vessel/Header Size
- 2) Vessel/Header Wall Thickness
- 3) Branch Size
- 4) Branch Wall Thickness
- 5) Vessel/Header Material Grade
- 6) Design Pressure
- 7) Design Temperature
- 8) Corrosion Allowance
- 9) Design Code ASME - B31.1 unless otherwise specified.

\*"A" dimensions are approximate values only.



**FORGED**



**INSERT WELDOLET FITTINGS**

Orders and inquiries should provide the additional following information:

- |                                 |                             |
|---------------------------------|-----------------------------|
| 1) Vessel/Header Size           | 6) Design Pressure          |
| 2) Vessel/Header Wall Thickness | 7) Design Temperature       |
| 3) Branch Size                  | 8) Corrosion Allowance      |
| 4) Branch Wall Thickness        | 9) Design Code - ASME B31.1 |
| 5) Vessel/Header Material Grade | unless otherwise specified  |

**INSERT WELDOLET FITTINGS**

Outlet Size	*A* Dimensions (height above run pipe)														
	1-1/2	2	2-1/2	3	4	5	6	8	10	12	14	16	18	20	24
Std. Wt. Run Pipe	1.5	1.5	1.62	1.75	2	2.25	2.38	2.75	3.06	3.38	3.50	3.75	3.81	4	4.56
XS Run Pipe	1.5	1.5	1.62	1.75	2	2.25	3.06	3.87	3.69	4.06	3.81	4.19	4.38	4.69	5.50
.500" to .750" Thick Run Pipe	-	-	-	2.88	3.31	3.75	4.12	4.18	4.25	4.37	4.50	4.69	5.13	5.62	6.5
.750" to 1.00" Thick Run Pipe	-	-	-	3.22	3.38	3.75	4.34	4.62	4.84	5.10	5.25	5.88	6.50	6.75	7.62
1.00" to 1.25" Thick Run Pipe	-	-	-	3.38	3.5	4	4.5	4.88	5.0	5.38	5.50	6.00	6.50	7.00	8.00
1.25" to 1.50" Thick Run Pipe	-	-	-	3.62	3.87	4.25	4.69	5.16	5.31	5.68	5.81	6.44	6.50	7.56	8.72

**INSERT WELDOLET FITTINGS**

Outlet Size	**W* Dimensions (Max. O.D. of Fitting - Max. size of hole)														
	1-1/2	2	2-1/2	3	4	5	6	8	10	12	14	16	18	20	24
Std. Wt. Run Pipe	3.50	4.25	4.88	5.69	7	8.06	9.71	11.71	14.00	16.32	17.56	19.75	22.00	24.00	29.00
XS Run Pipe	3.56	4.38	5.00	5.75	7.12	8.25	10.44	13.44	14.25	16.56	18.00	20.00	22.44	25.00	30.32

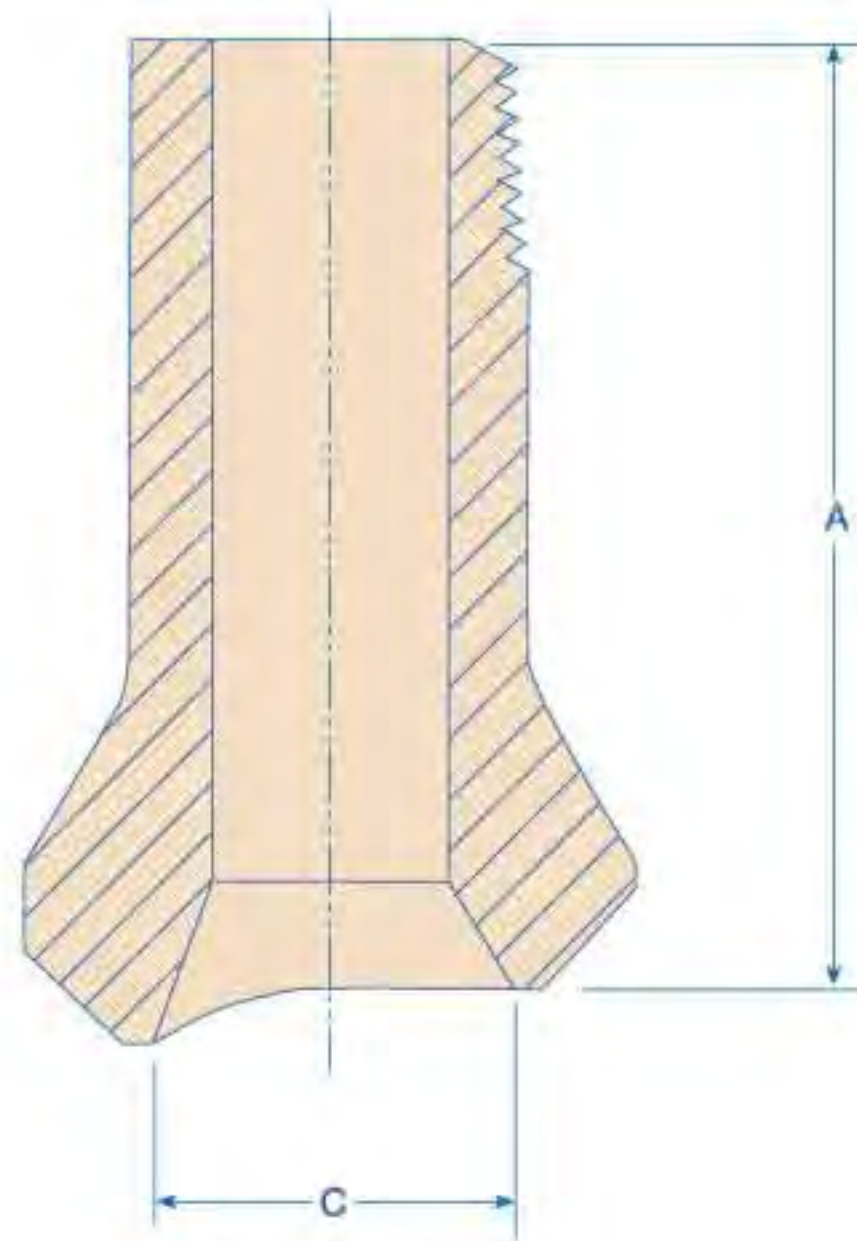
\*\*W\* dimensions shown are maximum - depending on individual applications, at the time of order, these dimensions may be reduced. These dimensions are to be used for layout purposes to determine any possible spacing problems. In no way should these dimensions be used to pre-cut holes prior to welding. In all cases, the fitting should be used as the template to determine size of hole in run pipe.

- (1) Insert Weldolet fittings are not available for size-on-size applications, first reduction applications or second reduction applications.
- (2) Depending on run pipe wall thickness, some second reduction Insert Weldolet fittings can be manufactured - contact Bonney Forge if a second reduction is your application.

ORDERING                      When ordering an Insert Weldolet fitting, see page 7.



**FORGED**



**A 1-PIECE FORGED FITTING THAT ELIMINATES THE NIPPLE, A COUPLING AND ONE WELD**

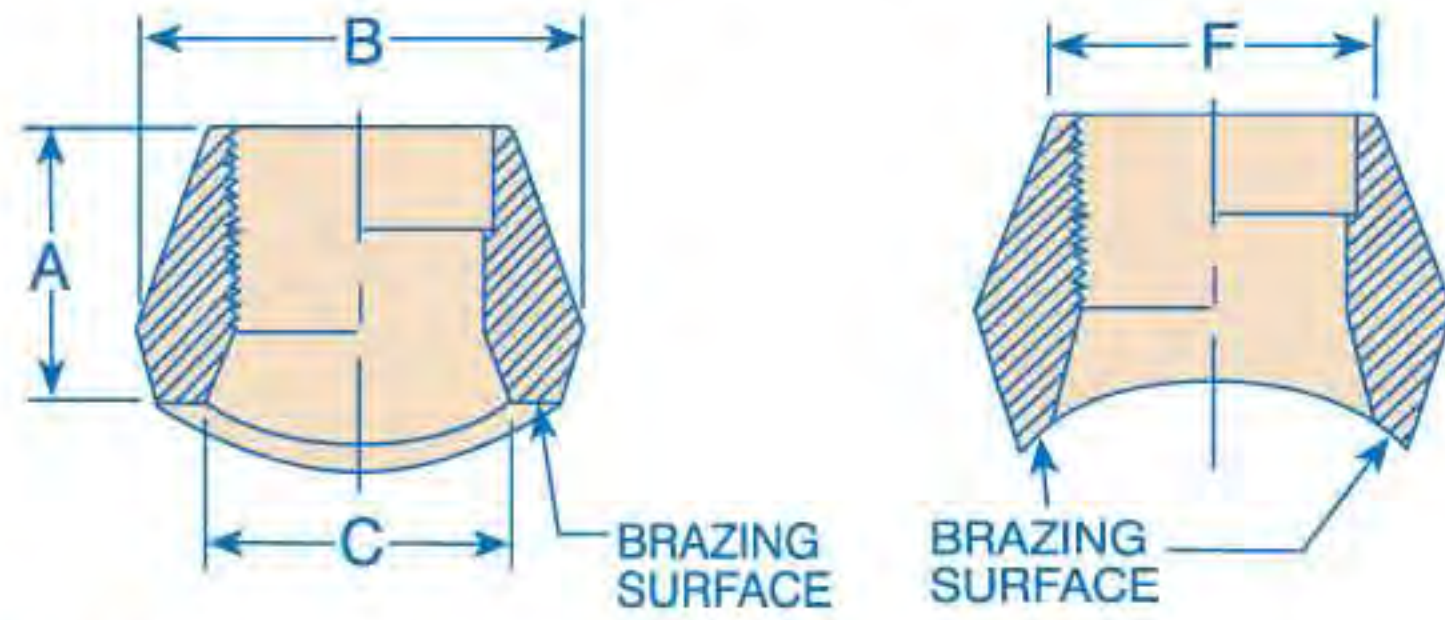
It provides 100% reinforcement, improved flow characteristics and better distribution of stresses. The Bonney Forge Nipolet® is a superior, engineered branch connection at far less cost than the coupling and nipple connection.

Plain End and Threaded							
	Size	1/2"	3/4"	1"	1-1/4"	1-1/2"	2"
<b>XS</b>	A	3-1/2	3-1/2	3-1/2	3-1/2	3-1/2	3-1/2
	C	15/16	1-3/16	1-7/16	1-3/4	2	2-9/16
<b>XXS</b>	A	3-1/2	3-1/2	3-1/2	3-1/2	3-1/2	3-1/2
	C	9/16	3/4	1	1-5/16	1-1/2	1-11/16

- Threaded or plain end (male socket weld)
- Available in outlet sizes 1/2" thru 2"
- Available in 3 1/2", 4 1/2", 5 1/2" and 6 1/2" standard lengths. Other lengths available on request.
- Run Pipe combinations, see page 38.

XS and XXS ratings represent the schedule of the nipple portion of the Nipolet® fitting.





### FOR PIPE AND TUBING

The Brazolet® is a bronze brazing outlet fitting for silver brazing to copper or brass pipe or tubing. It is available for use on Type TP tubing, nominal pipe sizes and types K, L & M tubing. The branch outlets are machined with either threaded ends or for silver brazing the corresponding type of pipe or tubing. The use of the Brazolet enables installation of full straight lengths of pipe or tubing and cutting in branches afterwards.

Available in Reducing Sizes Only - For Run Sizes Through 14"

Also available: grooved for rings per MIL-F-1183

### BRAZOLET FOR IPS PIPE ASME SB-98 UNS C65500 ALLOY A

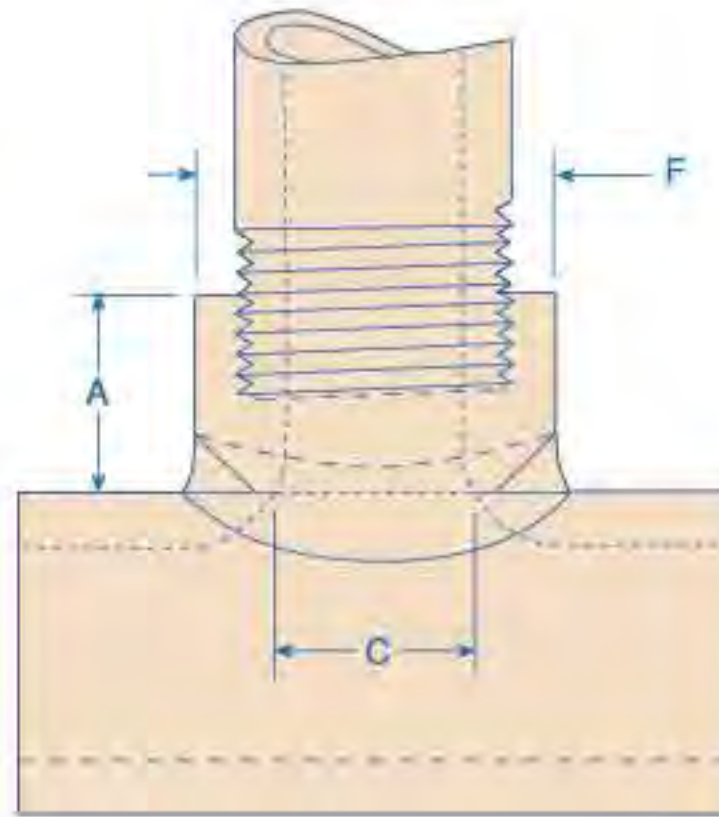
Outlet Sizes	A	B	C	Brazing Surface	F-MIN. MIL-F-1183
1/4	11/16	1	9/16	.188	.700
3/8	13/16	1-1/4	3/4	.190	.855
1/2	1	1-7/16	7/8	.220	1.020
3/4	1-1/16	1-3/4	1-1/8	.240	1.250
1	1-1/4	2-1/8	1-7/16	.270	1.535
1-1/4	1-5/16	2-9/16	1-3/4	.300	1.900
1-1/2	1-3/8	2-7/8	2	.330	2.160
2	1-1/2	3-1/2	2-9/16	.360	2.675
2-1/2	1-13/16	4-1/8	3	.384	3.215
3	2	4-13/16	3-11/16	.442	3.880
4	2-1/4	6	4-3/4	.476	4.940
5	2-5/8	7-1/16	5-9/16	.656	6.163

### BRAZOLET FOR TUBING TYPE K, L AND M TUBING. ASME SB-98 UNS C65500 ALLOY A

Outlet Sizes	A	B	C	Brazing Surface	F-MIN. MIL-F-1183
1/4	11/16	1	9/16	.188	.700
3/8	13/16	1-1/4	3/4	.190	.855
1/2	13/16	1-1/4	3/4	.190	.855
3/4	1	1-7/16	7/8	.220	1.020
1	1-1/16	1-3/4	1-1/8	.240	1.250
1-1/4	1-1/4	2-1/8	1-7/16	.270	1.535
1-1/2	1-5/16	2-9/16	1-3/4	.300	1.900
2	1-3/8	2-7/8	2	.330	2.160
2-1/2	1-1/2	3-1/2	2-9/16	.360	2.675
3	1-13/16	4-1/8	3	.384	3.215
4	2-1/8	5-1/2	4-5/16	.437	4.400



**FORGED**



Coupolet™ fittings are for use in fire protection sprinkler systems and other low pressure piping systems.

- 300# rating
- NPT female threads
- Heat lot traceability on each piece
- U.L. listed / F.M. approved

**300# FEMALE THREADED COUPOLET**

Nominal Outlet Size	Dimensions		
	A	C	F
1/2"	15/16	0.745	1.188
3/4"	1	0.958	1.441
1"	1-3/16	1.188	1.562
1-1/4"	1-5/16	1.550	1.906
1-1/2"	1-9/16	1.780	2.188
2"	1-11/16	2.260	2.750
2-1/2"	1-13/16	2.890	3.386
3"	2-1/2	3.400	4.000
4"	3	4.380	5.000

Additional dimensions available upon request.

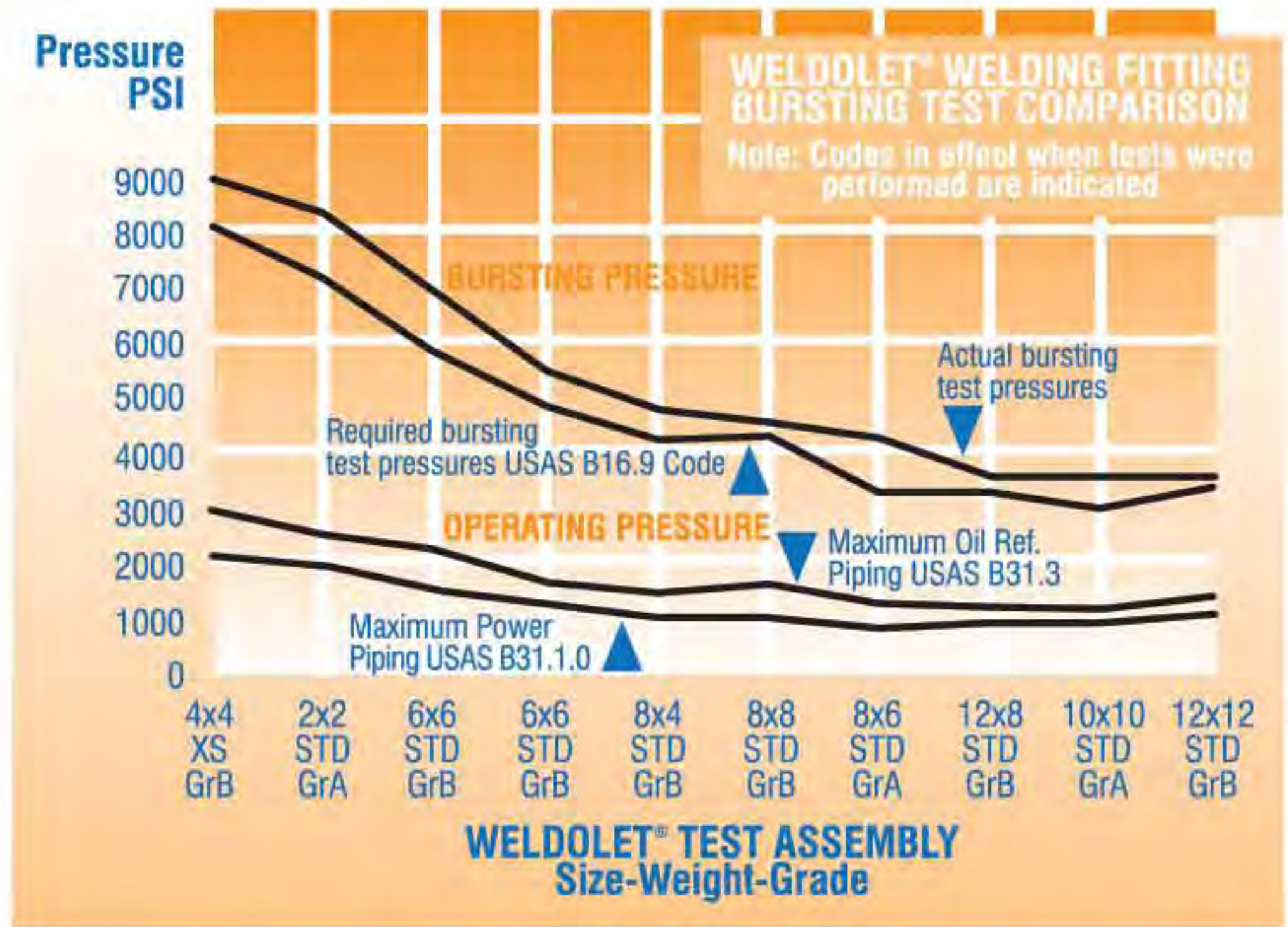
NOTE: In order to eliminate "Blind Holes" cut hole in pipe prior to welding.

**INTERCHANGEABILITY OR COMBINATION OF SIZES**

Coupolet Outlet Size	Run Sizes										
	1/2	3/4	1-1/4-1	2-1/2-1-1/2	8-3	36-10					
1/2"	1/2	3/4	1-1/4-1	2-1/2-1-1/2	8-3	36-10					
3/4"	3/4	1	2-1-1/4	6-2-1/2	36-8						
1"	1	1-1/4	2-1-1/2	4-2-1/2	8-5	36-10					
1-1/4"	1-1/4	1-1/2	2-1/2-2	4-3	8-5	36-10					
1-1/2"	1-1/2	2	2-1/2	4-3	8-5	16-10	36-18				
2"	2	2-1/2	3	3-1/2	4	5	6	8	10	16-12	36-18
2-1/2"	2-1/2	3	3-1/2	4	5	6	8	12-10	16-14	36-18	
3"	3	3-1/2	4	5	6	8	10	12	14	18-16	36-20
4"	5	6	8	10	14-12	16	18	20	24	36	



**WELDOLET® WELDING FITTING**  
**BURSTING TEST COMPARISON**



“Shape of Reinforcement” has been pioneered by BONNEY FORGE for the past 60 years. The fact that shape is even more important than area replacement for branch reinforcement has gained wide industry recognition. Even though the Weldolet® does have sufficient area replacement, the factor setting it apart from conventional lap type reinforcement is its SHAPE . . . reinforcement close to the juncture - completely bonded homogeneous reinforcement avoiding cracks, fillet welds, and re-entrant corners - reinforcement tapering at the sides to prevent abrupt change in thickness where fitting joins header pipe.

**Specify and use the Weldolet® for all your full size and reducing branch connections.** It is available in carbon steel and all alloys for any piping service.



## DEVELOPMENT

### DESIGN PRINCIPLES

Internal pressure tends to split pipe by hoop stress. At a 90° intersection, the maximum hoop stress is produced by the stresses of both branch and header as shown acting at point A. This combined stress tapers off to the hoop stress of the header only at point B. (See Fig. 1.)

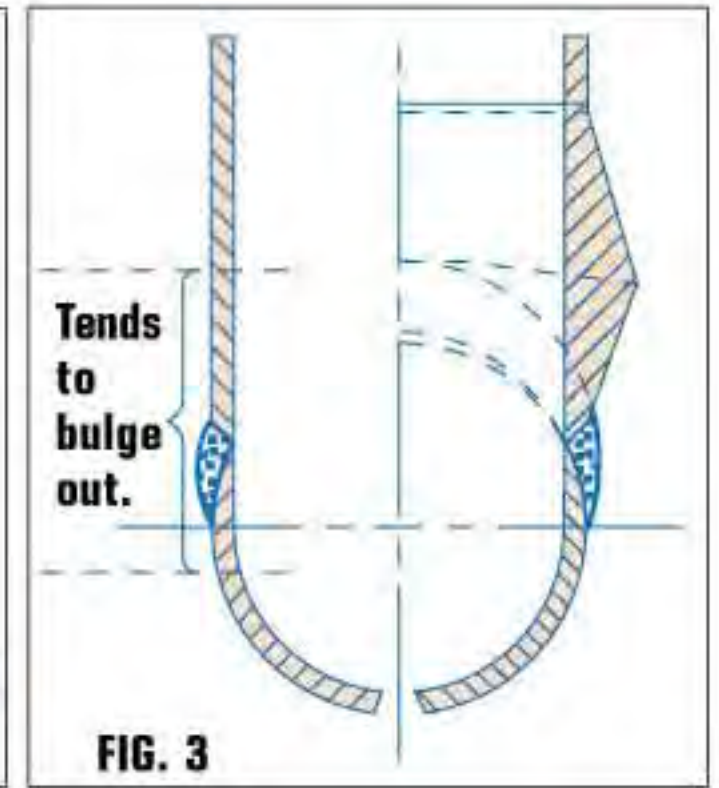
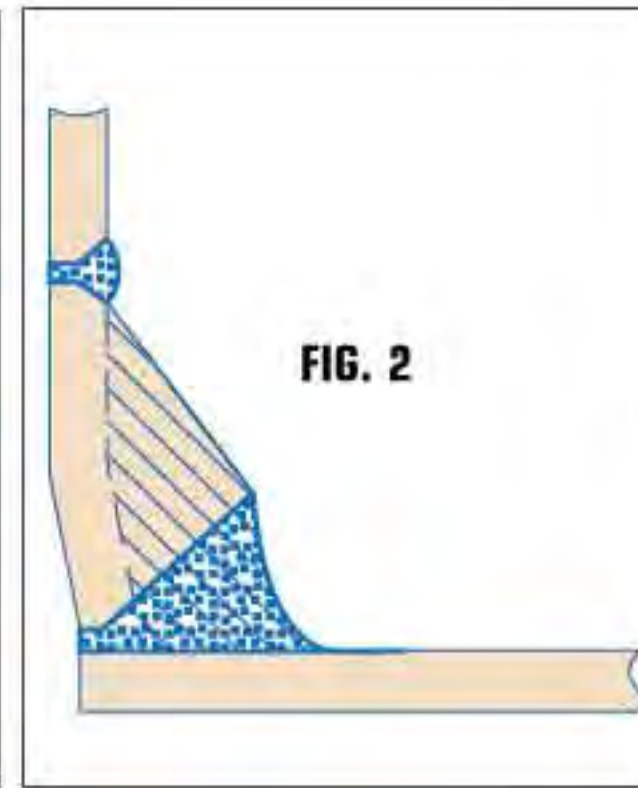
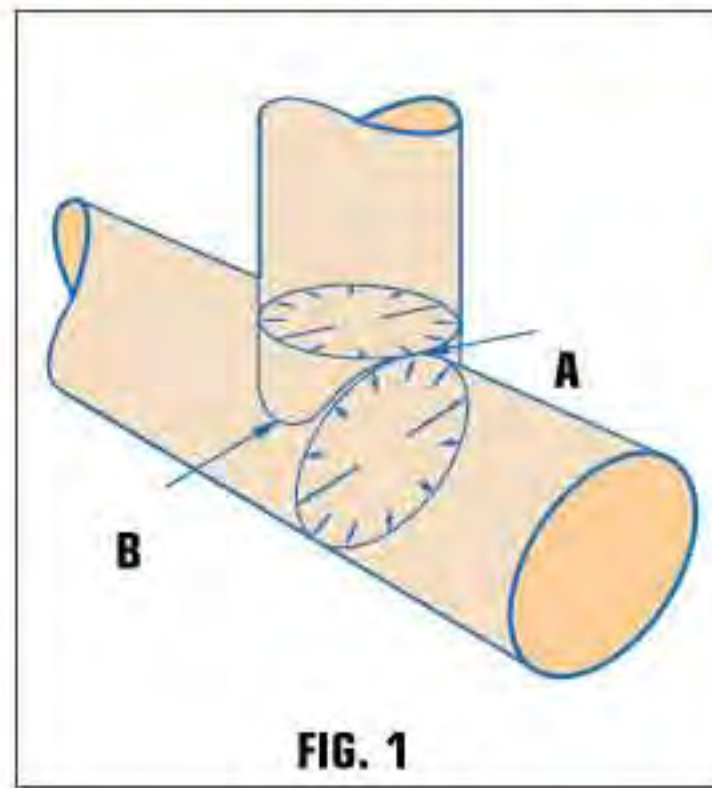
The Weldolet® welding fitting is designed with thickness and weld bevel distributed in the same manner as the stresses, largest at crotch section and tapered to pipe wall thickness at skirt section.

### CROTCH SECTION

The design of the Weldolet type of construction is based on compensating (see cross hatched area in Fig. 2) for the metal removed from the run pipe at the point where the largest stress concentrations would otherwise occur.

### SKIRT SECTION

At the skirt of an unreinforced branch connection, the tendency under pressure is for this zone to become spherical or to bulge (see Fig. 3). In the case of the Weldolet type of construction, the skirt portion of the fitting attached to the header tapers from header thickness to a proportionally thick section which tends to keep the joint from distorting. Rupture does not occur until the header is pressurized well beyond the minimum bursting requirements of B16.9, standard for steel butt-welding fittings.



## BRANCH REINFORCEMENT

### USE INTEGRALLY REINFORCED WELDOLET® WELDING FITTINGS WHICH ELIMINATE COMPUTATION.

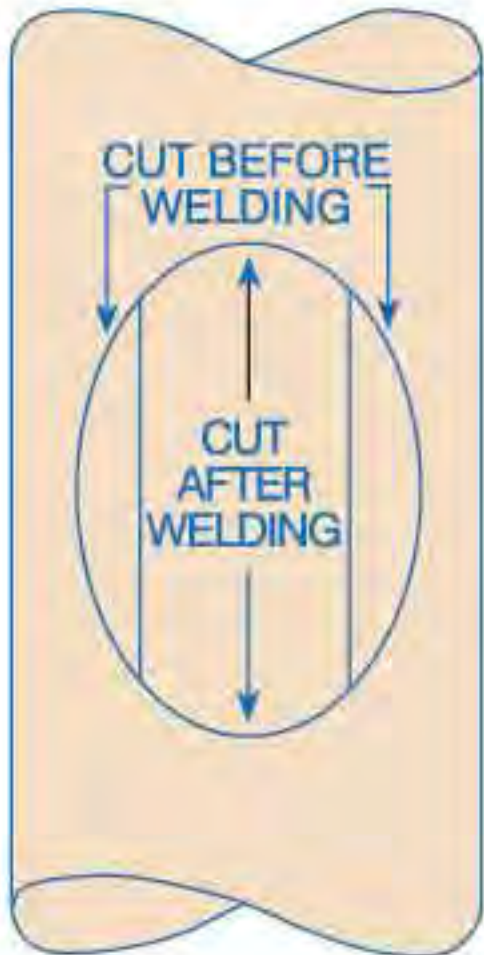
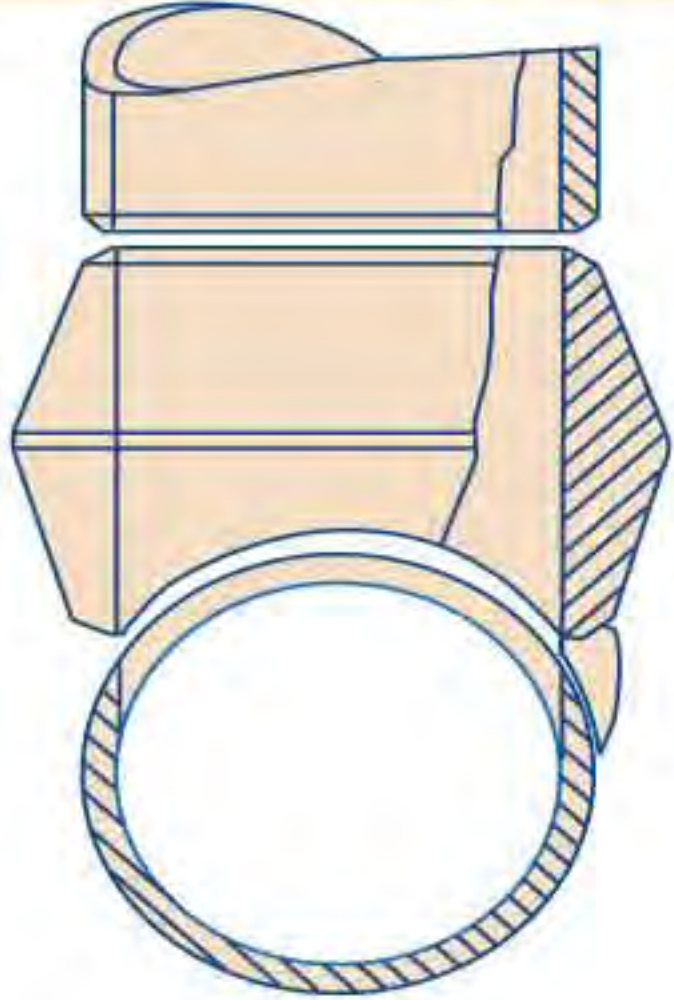
After determining that a branch needs reinforcement because of internal pressure of external forces or because of the high hazard of pipe failure, the designer can avoid further calculating by the specification of Weldolet welding fittings, specifically designed to compensate for the primary and secondary stress factors. The Weldolet fully integrates the branch and run pipe with the heaviest reinforcement at the crotch. The Weldolet blends the branch into the run pipe without abrupt transitions or sharp re-entrant corners present when the reinforcement is not completely integrated with the branch and run, such as with pad reinforced nozzles. The funneled inlet of the Weldolet provides a wide, stable footing which relieves stress concentrations and improves fluid flow.

**EVEN WHERE CALCULATIONS SHOW THAT REINFORCEMENT IS NOT REQUIRED**, the designer should, and in some cases must, satisfy himself on the following features and determine whether the use of the Weldolet is "good engineering" compared with the use of mitered branch nozzle construction.

- 1. FLUID FLOW** - The internal funnel of the Weldolet fitting avoids the impeded flow caused by the abrupt 90° angle of a mitered nozzle.
- 2. LARGE BRANCHES ON LARGE MAINS** - An unreinforced branch connection (nozzle), even when competently installed, is considerably weaker than the pipe. The amount of reinforcement necessary to restore the joint to full pipe strength requires complex calculations as outlined in the Code. The use of the Weldolet avoids these calculations and provides 100% pipe strength branch connections as required by Code.
- 3. SMALL BRANCHES ON LARGE MAINS** - All branches 2" and smaller should be constructed with a Weldolet, Thredolet or Sockolet, whether reinforcement is required or not. Bonney Forge fittings provide the least expensive method of constructing branch connections in these sizes. Operating experience with piping systems points out the need for improved methods of attaching small pipes to large mains. The Weldolet fitting provides the ideal method of making the transition.
- 4. WORKMANSHIP** - Fabrication with a Weldolet avoids the abuses encountered in the field with mitered branch connections as outlined on page 5.



## INSTALLATION PROCEDURE



### PERTINENT POINTS ON SIZE ON SIZE WELDOLET® FITTING INSTALLATION

In contrast to the reducing sizes, the size on size Weldolet and the first reducing size are designed with an elliptical hole (as shown on pages 9 and 11). This has been done to provide the necessary full size opening without requiring a 50% portion of the header pipe to be removed (it is actually closer to 40%). This reduced hole cut combines with the proper welding procedure to minimize the possibility of header distortion.

Multiple outlet headers requiring all full size openings are subject to distortion because of the large number of holes that have to be cut in close proximity to one another. To eliminate the possibility of distortion occurring when using Weldolets in this type of installation we recommend that a strap be left in the center of the hole, by cutting out two half moon sections (as shown in sketch). This strap acts as a support until after the Weldolet has been installed and is then cut out.

Since alloys are more difficult to weld than carbon steel, many companies have set up specified welding procedures. For those who do not have access to such specifications we offer the following suggestions:

### CHROME MOLY WELDOLET INSTALLATION

If the hole is to be flame cut rather than machine cut it is very important that all slag and rough edges be ground to a bright metal finish.

When preheating the materials to be welded, it is advisable to preheat to a temperature of 100° F more than shown in the code tables. This is done to eliminate the possibility of the material cooling to a temperature below the minimum shown on the table. Temperature crayons or electrical temperature controls are generally utilized to determine when the proper heat has been reached. Isolate all welding from chills and drafts.

When welding has been completed it is advisable to follow stress-relieving procedures at once. If however, this is not feasible, the welded section should be post heated to a dull red. The whole area should then be wrapped with a heat blanket and allowed to cool before stress relieving. The stress-relieving temperature should then be determined by the type of alloy and the engineer's recommended specifications or procedure.

### STAINLESS STEEL WELDOLET INSTALLATION

A hole saw or drill should be used to cut small size branch openings in stainless headers. Abrasive cutting wheels are generally used to make larger size holes. Arc cutting or the injection of iron powder into an acetylene flame are other methods used. If, however, any of these flame or arc methods are used, the hole should be cut under-size to allow for grinding out the heat-affected areas before welding. Either the Heliarc or metal-arc methods may be used for welding. The sequence of welding passes for both alloy and stainless is the same as outlined for carbon steel Weldolet fittings.

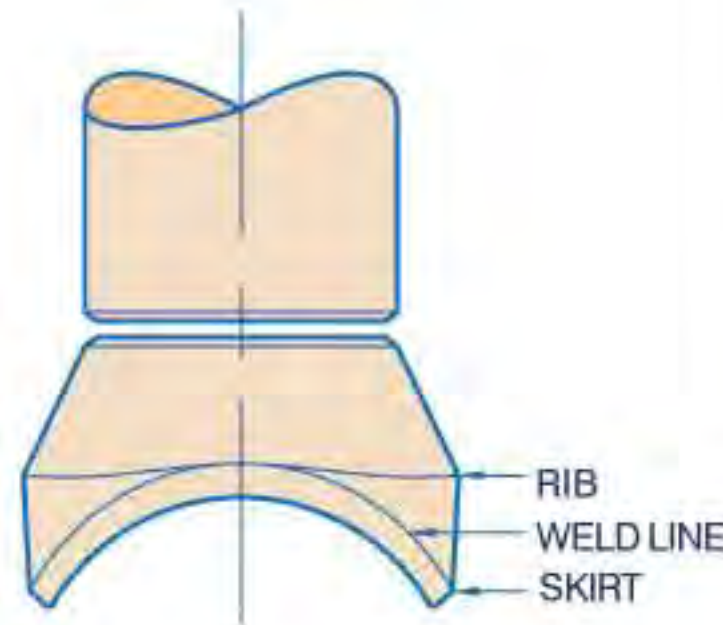


**INSTALLATION PROCEDURE**



**READY TO WELD**

Every fitting is shaped to fit the pipe and is self-aligning.



The outlet is machine-beveled for quick easy butt-welding of the branch pipe for shop or field fabrication.

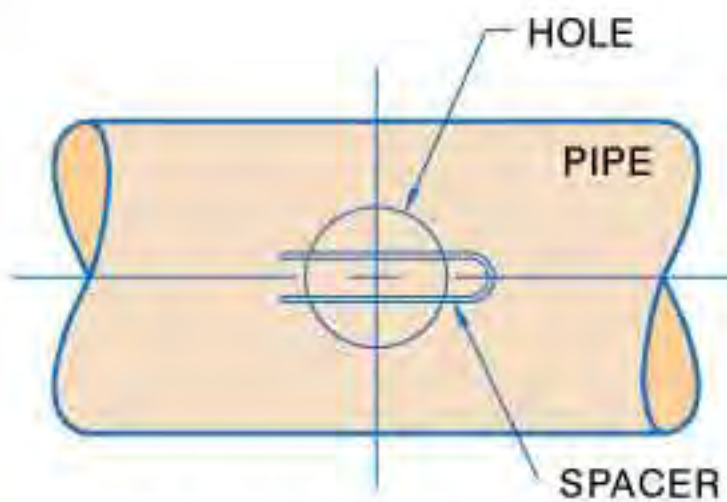


**Layout**

The template is the inside of the fitting.

**Cut Hole**

The hole in the run pipe on reducing sizes can be cut out either before or after the fitting is welded on. The hole can be cut with a torch, a drill or a hole saw. Welding the fitting to the run pipe prior to cutting the hole helps prevent distortion of the run and can be done generally on outlet sizes over two inches.



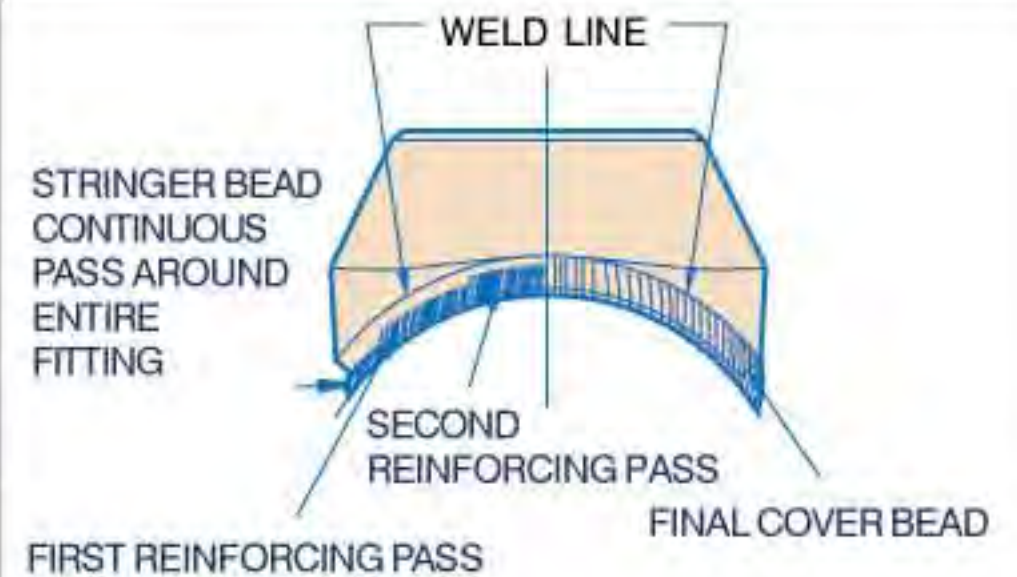
TOP VIEW SHOWING SPACER TO PROVIDE ROOT GAP

"Space" for Welding The Weldolet® is raised off the run pipe to establish proper weld gap by placing spacers, e.g. welding rods, under the fitting. This provides a uniform welding gap between the curvature of the run and base of fitting.



**Tack Weld**

The base joint is tack welded, preferably at four points, each half way between the crotch and skirt sections of the fitting. The spacers are then removed.

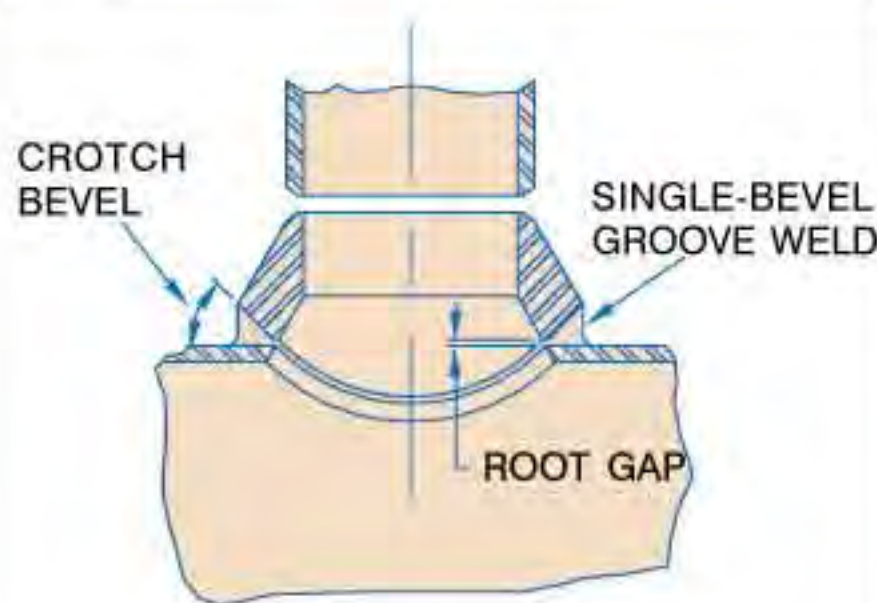


**Stringer Bead**

The stringer bead is applied completely around the base of the fitting. The established weld gap assures full penetration.

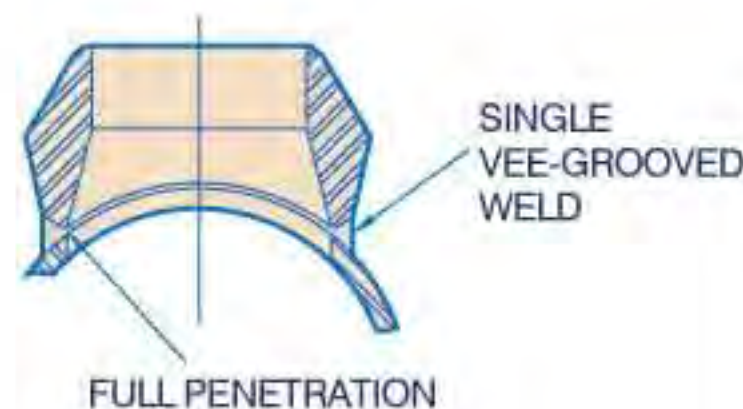
**Reinforcing Beads**

Reinforcing welds should be made at the crotch bevel areas of the fitting to provide maximum weld at the crotch tapering to minimum at the skirt. Particular care should be taken to weld only the bevel portion of the fitting. (See "weld lines" on above drawing.) This eliminates the unnecessary use of continuous passes and prevents the erroneous practice of welding up to the rib on the skirt portion of the fitting. A continuous cover bead should be added to fill the bevel and provide a smooth weld.



**LONGITUDINAL SECTION**

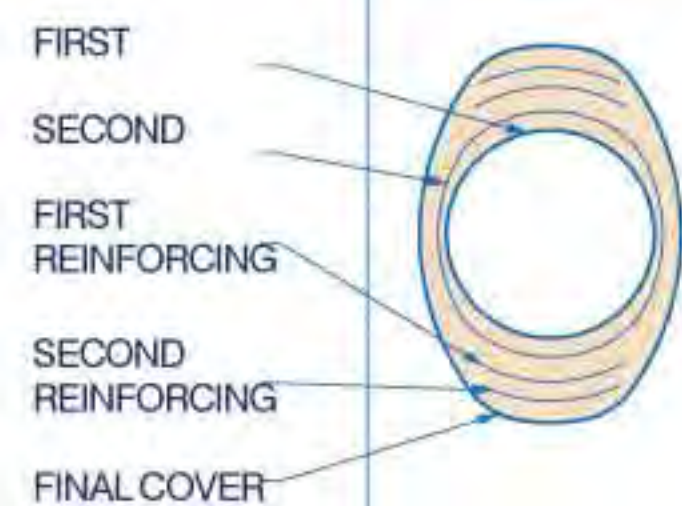
Fig. 1 Wide bases or footings at crotch section distribute internal and external stresses. Funnel shaped opening provides improved flow conditions.



**TRANSVERSE SECTION**

Fig. 2 Note the blending of the skirt section of the Weldolet to the run pipe to avoid abrupt change in intersection. Throat of weld at this point is designated by the welding bevel.

**EXAMPLE OF WELD PASS SEQUENCE**





## WELDOLET® AND BUTT-WELDED FLEXOLET™ DIMENSIONS

Dimensions L<sub>1</sub>, L<sub>2</sub>, and L<sub>3</sub>.  
Center of run pipe to face of fitting.  
Root Gap not included.

Nominal Run Pipe Size Inches	Pipe Weight or Sch. No.	L Dim.	Outlet Size Inches													
			1/8	1/4	3/8	1/2	3/4	1	1-1/4	1-1/2	2	2-1/2	3			
3/8	STD	L1	1	1												
	XS	L2	1	1												
1/2	STD	L1	1-1/16	1-1/16	1-3/16	1-3/16										
	XS	L2	1-1/16	1-1/16	1-3/16	1-3/16										
	S160 & XXS	L3				1-1/2										
3/4	STD	L1	1-3/16	1-3/16	1-1/4	1-1/4	1-7/16									
	XS	L2	1-3/16	1-3/16	1-1/4	1-1/4	1-7/16									
	S160 & XXS	L3				1-5/8	1-3/4									
1	STD	L1	1-5/16	1-5/16	1-3/8	1-3/8	1-1/2	1-1/16								
	XS	L2	1-5/16	1-5/16	1-3/8	1-3/8	1-1/2	1-11/16								
	S160 & XXS	L3				1-3/4	1-7/8	2-1/8								
1-1/4	STD	L1	1-7/16	1-7/16	1-9/16	1-9/16	1-11/16	1-7/8	2-1/16							
	XS	L2	1-7/16	1-7/16	1-9/16	1-9/16	1-11/16	1-7/8	2-1/16							
	S160 & XXS	L3				1-15/16	2-1/16	2-5/16	2-9/16							
1-1/2	STD	L1	1-9/16	1-9/16	1-11/16	1-11/16	1-13/16	2	2-3/16	2-1/4						
	XS	L2	1-9/16	1-9/16	1-11/16	1-11/16	1-13/16	2	2-3/16	2-1/4						
	S160 & XXS	L3				2-1/16	2-3/16	2-7/16	2-11/16	2-15/16						
2	STD	L1	1-13/16	1-13/16	1-15/16	1-15/16	2-1/16	2 1/4	2-7/16	2-1/2	2-11/16					
	XS	L2	1-13/16	1-13/16	1-15/16	1-15/16	2-1/16	2-1/4	2-7/16	2-1/2	2-11/16					
	S160 & XXS	L3				2-5/16	2-7/16	2-11/16	2-15/16	3-3/16	3-3/8					
2-1/2	STD	L1	2-1/16	2-1/16	2-3/16	2-3/16	2-5/16	2-1/2	2-11/16	2-3/4	2-15/16	3-1/16				
	XS	L2	2-1/16	2-1/16	2-3/16	2-3/16	2-5/16	2-1/2	2-11/16	2-3/4	2-15/16	3-1/16				
	S160 & XXS	L3				2-9/16	2-11/16	2-15/16	3-3/16	3-7/16	3-5/8	3-7/8				
3	STD	L1	2-3/8	2-3/8	2-1/2	2-1/2	2-5/8	2-13/16	3	3-1/16	3-1/4	3-3/8	3-1/2			
	XS	L2	2-3/8	2-3/8	2-1/2	2-1/2	2-5/8	2-13/16	3	3-1/16	3-1/4	3-3/8	3-1/2			
	S160 & XXS	L3	2-7/8			2-7/8	3	3-1/4	3-1/2	3-3/4	3-15/16	4-3/16	4-5/8			
3-1/2	STD	L1	2-5/8	2-5/8	2-3/4	2-3/4	2-7/8	3-1/16	3-1/4	3-5/16	3-1/2	3-5/8	3-3/4			
	XS	L2	2-5/8	2-5/8	2-3/4	2-3/4	2-7/8	3-1/16	3-1/4	3-5/16	3-1/2	3-5/8	3-3/4			
4	STD	L1	2-7/8	2-7/8	3	3	3-1/8	3-5/16	3-1/2	3-9/16	3-3/4	3-7/8	4			
	XS	L2	2-7/8	2-7/8	3	3	3-1/8	3-5/16	3-1/2	3-9/16	3-3/4	3-7/8	4			
	S160 & XXS	L3				3-3/8	3-1/2	3-3/4	4	4-1/4	4-7/16	4-11/16	5-1/8			
5	STD	L1	3-7/16	3-7/16	3-9/16	3-9/16	3-11/16	3-7/8	4-1/16	4-1/8	4-5/16	4-7/16	4-9/16			
	XS	L2	3-7/16	3-7/16	3-9/16	3-9/16	3-11/16	3-7/8	4-1/16	4-1/8	4-5/16	4-7/16	4-9/16			
	S160 & XXS	L3				3-15/16	4-1/16	4-5/16	4-9/16	4-13/16	5	5-1/4	5-11/16			
6	STD	L1	3-15/16	3-15/16	4-1/16	4-1/16	4-3/16	4-3/8	4-9/16	4-5/8	4-13/16	4-15/16	5-1/16			
	XS	L2	3-15/16	3-15/16	4-1/16	4-1/16	4-3/16	4-3/8	4-9/16	4-5/8	4-13/16	4-15/16	5-1/16			
	S160 & XXS	L3				4-7/16	4-9/16	4-13/16	5-1/6	5-5/16	5-1/2	5-3/4	6-3/16			
8	STD	L1	4-15/16	4-15/16	5-1/16	5-1/16	5-3/16	5-3/8	5-9/16	5-5/8	5-13/16	5-15/16	6-1/16			
	XS	L2	4-15/16	4-15/16	5-1/16	5-1/16	5-3/16	5-3/8	5-9/16	5-5/8	5-13/16	5-15/16	6-1/16			
10	STD	L1	6	6	6-1/8	6-1/8	6-1/4	6-7/16	6-5/8	6-11/16	6-7/8	7	7-1/8			
	XS	L2	6	6	6-1/8	6-1/8	6-1/4	6-7/16	6-5/8	6-11/16	6-7/8	7	7-1/8			
12	STD	L1	7	7	7-1/8	7-1/8	7-1/4	7-7/16	7-5/8	7-11/16	7-7/8	8	8-1/8			
	XS	L2	7	7	7-1/8	7-1/8	7-1/4	7-7/16	7-5/8	7-11/16	7-7/8	8	8-1/8			
14	STD	L1	7-5/8	7-5/8	7-3/4	7-3/4	7-7/8	8-1/16	8-1/4	8-5/16	8-1/2	8-5/8	8-3/4			
	XS	L2	7-5/8	7-5/8	7-3/4	7-3/4	7-7/8	8-1/16	8-1/4	8-5/16	8-1/2	8-5/8	8-3/4			
16	STD	L1	8-5/8	8-5/8	8-3/4	8-3/4	8-7/8	9-1/16	9-1/4	9-5/16	9-1/2	9-5/8	9-3/4			
	XS	L2	8-5/8	8-5/8	8-3/4	8-3/4	8-7/8	9-1/16	9-1/4	9-5/16	9-1/2	9-5/8	9-3/4			
18	STD	L1	9-5/8	9-5/8	9-3/4	9-3/4	9-7/8	10-1/16	10-1/4	10-5/16	10-1/2	10-5/8	10-3/4			
	XS	L2	9-5/8	9-5/8	9-3/4	9-3/4	9-7/8	10-1/16	10-1/4	10-5/16	10-1/2	10-5/8	10-3/4			
20	STD	L1	10-5/8	10-5/8	10-3/4	10-3/4	10-7/8	11-1/16	11-1/4	11-5/16	11-1/2	11-5/8	11-3/4			
	XS	L2	10-5/8	10-5/8	10-3/4	10-3/4	10-7/8	11-1/16	11-1/4	11-5/16	11-1/2	11-5/8	11-3/4			
24	STD	L1	12-5/8	12-5/8	12-3/4	12-3/4	12-7/8	13-1/16	13-1/4	13-5/16	13-1/2	13-5/8	13-3/4			
	XS	L2	12-5/8	12-5/8	12-3/4	12-3/4	12-7/8	13-1/16	13-1/4	13-5/16	13-1/2	13-5/8	13-3/4			



## WELDOLET® AND BUTT-WELDED FLEXOLET™ DIMENSIONS

Dimensions L<sub>1</sub>, L<sub>2</sub>, and L<sub>3</sub>.  
Center of run pipe to face of fitting.  
Root Gap not included.

Nominal Run Pipe Size Inches	Pipe Weight or Sch. No.	L Dim.	Outlet Size Inches													
			1/8	1/4	3/8	1/2	3/4	1	1-1/4	1-1/2	2	2-1/2	3			
3/8	STD	L1	1	1												
	XS	L2	1	1												
1/2	STD	L1	1-1/16	1-1/16	1-3/16	1-3/16										
	XS	L2	1-1/16	1-1/16	1-3/16	1-3/16										
	S160 & XXS	L3				1-1/2										
3/4	STD	L1	1-3/16	1-3/16	1-1/4	1-1/4	1-7/16									
	XS	L2	1-3/16	1-3/16	1-1/4	1-1/4	1-7/16									
	S160 & XXS	L3				1-5/8	1-3/4									
1	STD	L1	1-5/16	1-5/16	1-3/8	1-3/8	1-1/2	1-1/16								
	XS	L2	1-5/16	1-5/16	1-3/8	1-3/8	1-1/2	1-11/16								
	S160 & XXS	L3				1-3/4	1-7/8	2-1/8								
1-1/4	STD	L1	1-7/16	1-7/16	1-9/16	1-9/16	1-11/16	1-7/8	2-1/16							
	XS	L2	1-7/16	1-7/16	1-9/16	1-9/16	1-11/16	1-7/8	2-1/16							
	S160 & XXS	L3				1-15/16	2-1/16	2-5/16	2-9/16							
1-1/2	STD	L1	1-9/16	1-9/16	1-11/16	1-11/16	1-13/16	2	2-3/16	2-1/4						
	XS	L2	1-9/16	1-9/16	1-11/16	1-11/16	1-13/16	2	2-3/16	2-1/4						
	S160 & XXS	L3				2-1/16	2-3/16	2-7/16	2-11/16	2-15/16						
2	STD	L1	1-13/16	1-13/16	1-15/16	1-15/16	2-1/16	2-1/4	2-7/16	2-1/2	2-11/16					
	XS	L2	1-13/16	1-13/16	1-15/16	1-15/16	2-1/16	2-1/4	2-7/16	2-1/2	2-11/16					
	S160 & XXS	L3				2-5/16	2-7/16	2-11/16	2-15/16	3-3/16	3-3/8					
2-1/2	STD	L1	2-1/16	2-1/16	2-3/16	2-3/16	2-5/16	2-1/2	2-11/16	2-3/4	2-15/16	3-1/16				
	XS	L2	2-1/16	2-1/16	2-3/16	2-3/16	2-5/16	2-1/2	2-11/16	2-3/4	2-15/16	3-1/16				
	S160 & XXS	L3				2-9/16	2-11/16	2-15/16	3-3/16	3-7/16	3-5/8	3-7/8				
3	STD	L1	2-3/8	2-3/8	2-1/2	2-1/2	2-5/8	2-13/16	3	3-1/16	3-1/4	3-3/8	3-1/2			
	XS	L2	2-3/8	2-3/8	2-1/2	2-1/2	2-5/8	2-13/16	3	3-1/16	3-1/4	3-3/8	3-1/2			
	S160 & XXS	L3	2-7/8			2-7/8	3	3-1/4	3-1/2	3-3/4	3-15/16	4-3/16	4-5/8			
3-1/2	STD	L1	2-5/8	2-5/8	2-3/4	2-3/4	2-7/8	3-1/16	3-1/4	3-5/16	3-1/2	3-5/8	3-3/4			
	XS	L2	2-5/8	2-5/8	2-3/4	2-3/4	2-7/8	3-1/16	3-1/4	3-5/16	3-1/2	3-5/8	3-3/4			
4	STD	L1	2-7/8	2-7/8	3	3	3-1/8	3-5/16	3-1/2	3-9/16	3-3/4	3-7/8	4			
	XS	L2	2-7/8	2-7/8	3	3	3-1/8	3-5/16	3-1/2	3-9/16	3-3/4	3-7/8	4			
	S160 & XXS	L3				3-3/8	3-1/2	3-3/4	4	4-1/4	4-7/16	4-11/16	5-1/8			
5	STD	L1	3-7/16	3-7/16	3-9/16	3-9/16	3-11/16	3-7/8	4-1/16	4-1/8	4-5/16	4-7/16	4-9/16			
	XS	L2	3-7/16	3-7/16	3-9/16	3-9/16	3-11/16	3-7/8	4-1/16	4-1/8	4-5/16	4-7/16	4-9/16			
	S160 & XXS	L3				3-15/16	4-1/16	4-5/16	4-9/16	4-13/16	5	5-1/4	5-11/16			
6	STD	L1	3-15/16	3-15/16	4-1/16	4-1/16	4-3/16	4-3/8	4-9/16	4-5/8	4-13/16	4-15/16	5-1/16			
	XS	L2	3-15/16	3-15/16	4-1/16	4-1/16	4-3/16	4-3/8	4-9/16	4-5/8	4-13/16	4-15/16	5-1/16			
	S160 & XXS	L3				4-7/16	4-9/16	4-13/16	5-1/6	5-5/16	5-1/2	5-3/4	6-3/16			
8	STD	L1	4-15/16	4-15/16	5-1/16	5-1/16	5-3/16	5-3/8	5-9/16	5-5/8	5-13/16	5-15/16	6-1/16			
	XS	L2	4-15/16	4-15/16	5-1/16	5-1/16	5-3/16	5-3/8	5-9/16	5-5/8	5-13/16	5-15/16	6-1/16			
10	STD	L1	6	6	6-1/8	6-1/8	6-1/4	6-7/16	6-5/8	6-11/16	6-7/8	7	7-1/8			
	XS	L2	6	6	6-1/8	6-1/8	6-1/4	6-7/16	6-5/8	6-11/16	6-7/8	7	7-1/8			
12	STD	L1	7	7	7-1/8	7-1/8	7-1/4	7-7/16	7-5/8	7-11/16	7-7/8	8	8-1/8			
	XS	L2	7	7	7-1/8	7-1/8	7-1/4	7-7/16	7-5/8	7-11/16	7-7/8	8	8-1/8			
14	STD	L1	7-5/8	7-5/8	7-3/4	7-3/4	7-7/8	8-1/16	8-1/4	8-5/16	8-1/2	8-5/8	8-3/4			
	XS	L2	7-5/8	7-5/8	7-3/4	7-3/4	7-7/8	8-1/16	8-1/4	8-5/16	8-1/2	8-5/8	8-3/4			
16	STD	L1	8-5/8	8-5/8	8-3/4	8-3/4	8-7/8	9-1/16	9-1/4	9-5/16	9-1/2	9-5/8	9-3/4			
	XS	L2	8-5/8	8-5/8	8-3/4	8-3/4	8-7/8	9-1/16	9-1/4	9-5/16	9-1/2	9-5/8	9-3/4			
18	STD	L1	9-5/8	9-5/8	9-3/4	9-3/4	9-7/8	10-1/16	10-1/4	10-5/16	10-1/2	10-5/8	10-3/4			
	XS	L2	9-5/8	9-5/8	9-3/4	9-3/4	9-7/8	10-1/16	10-1/4	10-5/16	10-1/2	10-5/8	10-3/4			
20	STD	L1	10-5/8	10-5/8	10-3/4	10-3/4	10-7/8	11-1/16	11-1/4	11-5/16	11-1/2	11-5/8	11-3/4			
	XS	L2	10-5/8	10-5/8	10-3/4	10-3/4	10-7/8	11-1/16	11-1/4	11-5/16	11-1/2	11-5/8	11-3/4			
24	STD	L1	12-5/8	12-5/8	12-3/4	12-3/4	12-7/8	13-1/16	13-1/4	13-5/16	13-1/2	13-5/8	13-3/4			
	XS	L2	12-5/8	12-5/8	12-3/4	12-3/4	12-7/8	13-1/16	13-1/4	13-5/16	13-1/2	13-5/8	13-3/4			



**WELDOLET® AND BUTT-WELDED FLEXOLET™ DIMENSIONS CONTINUED**

Nominal Run Pipe Size Inches	Pipe Weight or Sch. No.	L Dim.	Outlet Size Inches											
			3-1/2	4	5	6	8	10	12	14	16	18	20	24
3/8	STD	L1												
	XS	L2												
1/2	STD	L1												
	XS	L2												
	S160 & XXS	L3												
3/4	STD	L1												
	XS	L2												
	S160 & XXS	L3												
1	STD	L1												
	XS	L2												
	S160 & XXS	L3												
1-1/4	STD	L1												
	XS	L2												
	S160 & XXS	L3												
1-1/2	STD	L1												
	XS	L2												
	S160 & XXS	L3												
2	STD	L1												
	XS	L2												
	S160 & XXS	L3												
2-1/2	STD	L1												
	XS	L2												
	S160 & XXS	L3												
3	STD	L1												
	XS	L2												
	S160 & XXS	L3												
3-1/2	STD	L1	3-7/8											
	XS	L2	3-7/8											
4	STD	L1	4-1/8	4-1/4										
	XS	L2	4-1/8	4-1/4										
	S160 & XXS	L3		5-9/16										
5	STD	L1	4-11/16	4-13/16	5-1/16									
	XS	L2	4-11/16	4-13/16	5-1/16									
	S160 & XXS	L3		6-1/8	6-1/2									
6	STD	L1	5-3/16	5-5/16	5-9/16	5-11/16								
	XS	L2	5-3/16	5-5/16	5-9/16	6-3/8								
	S160 & XXS	L3		6-5/8	7	7-7/16								
8	STD	L1	6-3/16	6-5/16	6-9/16	6-11/16	7-1/16							
	XS	L2	6-3/16	6-5/16	6-9/16	7-3/8	8-3/16							
10	STD	L1	7-1/4	7-3/8	7-5/8	7-3/4	8-1/8	8-7/16						
	XS	L2	7-1/4	7-3/8	7-5/8	8-7/16	9-1/4	8-7/8						
12	STD	L1	8-1/4	8-3/8	8-5/8	8-3/4	9-1/8	9-7/16	9-3/4					
	XS	L2	8-1/4	8-3/8	8-5/8	9-7/16	10-1/4	10-1/16	10-5/16					
14	STD	L1	8-7/8	9	9-1/4	9-3/8	9-3/4	10-1/16	10-3/8	10-1/2				
	XS	L2	8-7/8	9	9-1/4	10-1/16	10-7/8	10-11/16	11-1/16	11-1/8				
16	STD	L1	9-7/8	10	10-1/4	10-3/8	10-3/4	11-1/16	11-3/8	11-1/2	11-11/16			
	XS	L2	9-7/8	10	10-1/4	11-1/16	11-7/8	11-11/16	12-1/16	11-15/16	12-7/16			
18	STD	L1	10-7/8	11	11-1/4	11-3/8	11-3/4	12-1/16	12-3/8	12-1/2	12-11/16	13-1/16		
	XS	L2	10-7/8	11	11-1/4	12-1/16	12-7/8	12-11/16	13-1/16	12-15/16	13-3/16	13-11/16		
20	STD	L1	11-7/8	12	12-1/4	12-3/8	12-3/4	13-1/16	13-3/8	13-1/2	13-11/16	13-13/16	14-5/8	
	XS	L2	11-7/8	12	12-1/4	13-1/16	13-7/8	13-11/16	14-1/16	13-5/16	14-3/16	14-3/8	15	
24	STD	L1	13-7/8	14	14-1/4	14-3/8	14-3/4	15-1/16	15-3/8	15-1/2	15-11/16	15-13/16	16	17-3/8
	XS	L2	13-7/8	14	14-1/4	15-1/16	15-7/8	15-11/16	16-1/16	15-15/16	16-3/16	16-3/8	16-1/16	17-1/2



## CONVENTIONAL RUN SIZE COMBINATIONS

**STANDARD WEIGHT WELDOLET®, EXTRA STRONG WELDOLET®,**

**CLASS 3000 THREDOLET®, CLASS 3000 SOCKOLET®, EXTRA STRONG NIPOLET®**

Run Sizes	Outlet Size Inches														
	1/8	1/4	3/8	1/2	3/4	1	1-1/4	1-1/2	2	2-1/2	3	3-1/2	4	5	6
3/8	3/8	1/2	1/2	3/4	1	1-1/4	1-1/2	2	2-1/2	3	3-1/2	4	5	6	
1/2	1/2	1-3/4	3/4	1	1-1/4	1-1/2	2	2-1/2	3	3-1/2	4	5	6	8	
1-3/4	1-3/4	2-1/2-1-1/4	1	1-1/2-1-1/4	1-1/2	2	2-1/2	3	3-1/2	4	5	6	8	10	
2-1/2-1-1/4	2-1/2-1-1/4	36-3	1-1/2-1-1/4	2-1/2-2	2	2-1/2	3	4-3-1/2	4	5	6	8	10	14-12	
36-3	36-3	flat	2-1/2-2	5-3	2-1/2	3-1/2-3	4-3-1/2	5	5	6	8	10	12	16	
flat	flat		8-3	12-6	3-1/2-3	5-4	6-5	6	6	8	10	14-12	14	18	
			36-10	36-14	5-4	8-6	12-8	10-8	8	10	14-12	20-16	18-16	22-20	
		△	flat	flat	10-6	18-10	24-14	18-12	12-10	14-12	20-16	22	22-20	28-24	
		3/4-1/2			36-12	36-20	36-26	36-20	18-14	20-16	36-24	36-24	28-24	36-30	
		36-1			flat	flat	flat	flat	36-20	36-24	flat	flat	36-30	flat	
		flat							flat	flat			flat	flat	

Outlet sizes 8, 10, 12, 14, 16, 18, 20, 24, 26, 30 order to specific size combination

△ Size consolidation for Weldolets only.

**CLASS 6000 THREDOLET®, CLASS 6000 SOCKOLET®, XXS NIPOLET®**

Run Sizes	Outlet Size Inches							
	1/4	3/8	1/2	3/4	1	1-1/4	1-1/2	2
1/2	1/2	1-3/4	1	1-1/2-1-1/4	1-1/2	2	2-1/2	
1-3/4	3/4	2-1-1/4	2-1/2-1-1/4	2-1/2-2	2-1/2	2-1/2	3	
2-1/2-1-1/4	1	6-2-1/2	10-3	10-3	3-1/2-3	3-1/2-3	4	
36-3	1-1/2-1-1/4	36-8	36-12	36-12	8-4	5-4	5	
flat	2 1/2-2	flat	flat	flat	36-10	8-6	6	
	8-3				flat	18-10	10-8	
	36-10					36-20	20-12	
	flat					flat	36-24	
							flat	

**SCHEDULE 160, XXS WELDOLET®**

Run Sizes	Outlet size Inches								
	1/2	3/4	1	1-1/4	1-1/2	2	2-1/2	3	4
1/2	1-3/4	1	1-1/2-1-1/4	1-1/2	2	2-1/2	3	4	
1-1/4-3/4	2-1-1/4	2-1/2-1-1/4	2-1/2-2	2-1/2	2-1/2	3	3-1/2	6	
36-1-1/2	6-2-1/2	10-3	10-3	3-1/2-3	3-1/2-3	3-1/2	4	8	
flat	36-8	36-12	36-12	8-4	5-4	4	5	10	
	flat	flat	flat	20-10	8-6	5	6	12	
				22	18-10	8-6	8	14	
				36-24	36-20	12-10	10	16	
				flat	flat	18-14	12	18	
						36-20	14	20	
						flat	16	22	
							18	24	
							20		
							22		
							24		
							flat		

Outlet sizes 5, 6, 8, 10, 12 order to specific size combination.

### Inventory Reduction

The OLET™ product line, means reduced inventory! The charts on these pages represent the full range of the Weldolet®/ Flexolet™ product run size combinations. Bonney Forge's branch connections have been designed to substantially reduce warehouse inventory. In the case of the Flexolet and its Straight Thru Bore design, a still greater run size combination is available. All fittings are marked as shown on the charts. All outlet sizes not shown should be ordered to specific run pipe sizes.

### How It Works

Each charted outlet size shown on these pages are designed to fit a number of run pipe sizes. The drawings on page 39 reflect the allowed fit-up gap per MSS-SP-97-2001 specification.

Example: 8-3 x 1/2 designation.

The design of the run curvature is such that, in all instances, the fit-up gap at the top of the run pipe or at the ear section of the fitting will not be more than 1/16". This gap is negligible when welding.



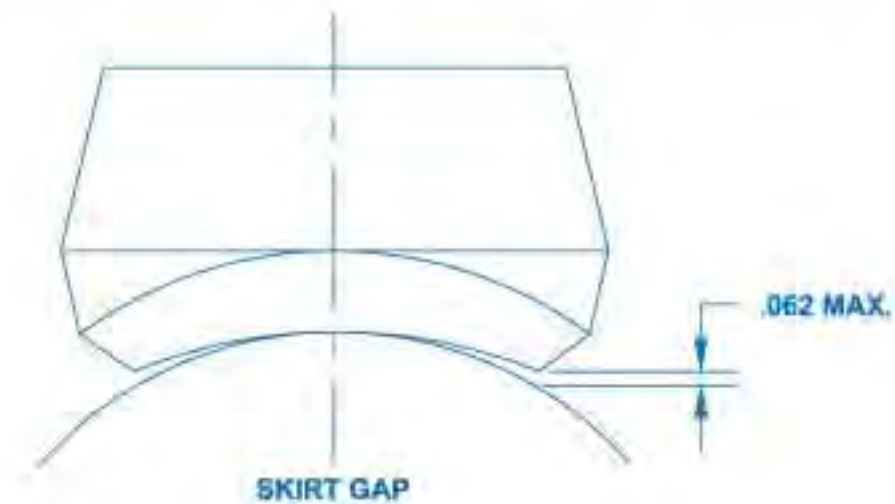
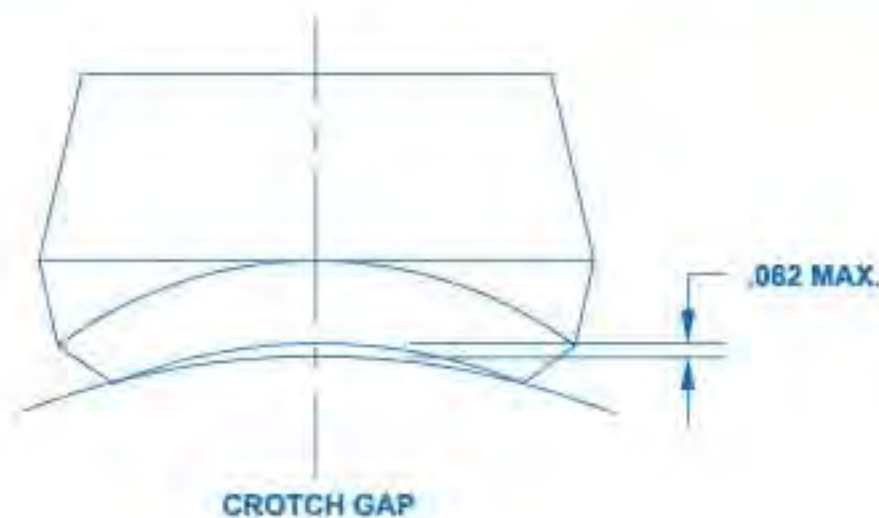
## FLEXOLET™ RUN SIZE COMBINATIONS

### FLEXOLET™ SA/A105 & SA/350 LF2 CL1

	Outlet Size Inches											
	1/4	3/8	1/2	3/4	1	1 1/4	1 1/2	2	2 1/2	3	4	6
Butt-Weld, Std.	1/4 36-3/8	1/2-3/8 36-3/4	1-1/2 36-1 1/4	2-3/4 36-2 1/2	1 1 1/2-1 1/4 36-2	1 1/4 2-1 1/2 6-2 1/2 36-8	1 1/2 3 1/2-2 36-4	2 3-2 1/2 6-3 1/2 36-8	2 1/2 4-3 10-5 36-12	3 4-3 1/2 6-5 14-8 36-16	4 6-5 10-8 20-12 36-22	6 8 10 14-12 18-16 24-20 34-26 42-36
	36-1/4	3/8 36-1/2	3/4-1/2 36-1	1 1/2-3/4 36-2	1 1 1/2-1 1/4 36-2	2-1 1/4 5-2 1/2 36-6	1 1/2 3 1/2-2 36-4	2 3-2 1/2 6-3 1/2 36-8	2 1/2 4-3 10-5 36-12	3 4-3 1/2 6-5 14-8 36-16	4 6-5 10-8 20-12 36-22	6 8 10 14-12 18-16 24-20 34-26 42-36

Class 3000 Threaded	3/8-1/4 36-1/2	1-3/8 36-1 1/4	1/2 36-3/4	1 1/4-3/4 36-1 1/2	1 2 1/2-1 1/4 36-3	1 1/2-1 1/4 3 1/2-2 36-4	1 1/2 2 1/2-2 5-3 36-6	2 3 1/2-2 1/2 6-4 36-8	2 1/2 3 1/2-3 6-4 36-8	3 5-3 1/2 14-6 36-16	4 6-5 10-8 20-12 36-22
	3/8-1/4 36-1/2	1-3/8 36-1 1/4	1/2 36-3/4	3/4 1 1/4-1 36-1 1/2	1 2 1/2-1 1/4 36-3	1 1/2-1 1/4 3 1/2-2 8-4 36-10	1 1/2 2 1/2-2 5-3 36-6	2 3 1/2-2 1/2 6-4 36-8	2 1/2 3 1/2-3 5-4 10-6 26-12 36-28	3 3 1/2 4 6-5 12-8 36-14	4 5 6 10-8 18-12 36-20

Class 3000 Socket-Weld	1/4 36-3/8	1/2-3/8 36-3/4	1/2 36-3/4	1 1/4-3/4 36-1 1/2	1 2 1/2-1 1/4 36-3	1 1/2-1 1/4 3 1/2-2 36-4	1 1/2 2 1/2-2 5-3 36-6	2 3 1/2-2 1/2 6-4 36-8	2 1/2 3 1/2-3 6-4 36-8	3 5-3 1/2 14-6 36-16	4 6-5 10-8 20-12 36-22
	36-1/4	36-3/8	1/2 36-3/4	1-3/4 36-1 1/4	1 2 1/2-1 1/4 36-3	1 1/4 4-1 1/2 36-5	1 1/2 2 1/2-2 5-3 36-6	2 3 1/2-2 1/2 6-4 36-8	3-2 1/2 5-3 1/2 18-6 36-20	3 1/2-3 5-4 10-6 26-12 36-28	4 5 8-6 14-10 36-16





## FLEXOLET™ RUN SIZE COMBINATIONS

### STAINLESS STEEL & ALLOY CONSOLIDATION CHART

BW (STD) & SW (3000#)	Outlet Size Inches											
	1/4	3/8	1/2	3/4	1	1-1/4	1-1/2	2	2-1/2	3	3-1/2	4
1/4 36 - 3/8	1/2 - 3/8 36 - 3/4	1 - 1/2 36 - 1 1/4	2 - 3/4 36 - 2 1/2	1 3 1/2 - 1 1/4 36 - 4	1 1/4 2 - 1 1/2 6 - 2 1/2 36 - 8	1 1/2 3 - 2 8 - 3 1/2 36 - 10	2 3 - 2 1/2 6 - 3 1/2 16 - 8 36 - 18	2 1/2 3 1/2 - 3 5 - 4 12 - 6 24 - 14 36 - 26	3 4 - 3 1/2 6 - 5 14 - 8 36 - 16	3 1/2 4 6 - 5 10 - 8 24 - 12 36 - 26	4 5 6 10 - 8 20 - 12 36 - 22	
BW (XS)	36 - 1/4	3/8 36 - 1/2	3/4 - 1/2 36 - 1	1 1/2 - 3/4 36 - 2	1 3 - 1 1/4 36 - 3 1/2	2 - 1 1/4 5 - 2 1/2 36 - 6	1 1/2 2 1/2 - 2 8 - 3 36 - 10	2 3 - 2 1/2 6 - 3 1/2 14 - 8 36 - 16	2 1/2 4 - 3 8 - 5 20 - 10 36 - 22	3 4 - 3 1/2 6 - 5 16 - 8 32 - 18 36 - 34	3 1/2 4 6 - 5 12 - 8 34 - 14 36	4 5 6 10 - 8 20 - 12 36 - 22
BW (S160) & SW (6000#)	36 - 1/4	36 - 3/8	1/2 36 - 3/4	1 - 3/4 36 - 1 1/4	2 - 1 36 - 2 1/2	1 1/4 4 - 1 1/2 36 - 5	2 1/2 - 1 1/2 6 - 3 36 - 8	2 3 - 2 1/2 10 - 3 1/2 36 - 12	3 - 2 1/2 5 - 3 1/2 18 - 6 36 - 20	3 1/2 - 3 5 - 4 10 - 6 26 - 12 36 - 28		4 5 8 - 6 14 - 10 36 - 16
THRD (3000# & 6000#)	3/8 - 1/4 36 - 1/2	1 - 3/8 36 - 1 1/4	1/2 1 1/2 - 3/4 36 - 2	3/4 2 1/2 - 1 36 - 3	1 1/4 - 1 4 - 1 1/2 36 - 5	1 1/2 - 1 1/4 3 1/2 - 2 8 - 4 36 - 10	1 1/2 2 3 1/2 - 2 1/2 10 - 4 36 - 12	2 2 1/2 4 - 3 10 - 5 18 - 12 36 - 20	2 1/2 3 1/2 - 3 5 - 4 10 - 6 26 - 12 36 - 28	3 3 1/2 4 6 - 5 36 - 14	3 1/2 4 5 6 10 - 8 22 - 12 36 - 24	4 5 6 10 - 8 18 - 12 36 - 20

#### Inventory Reduction

The OLET™ product line, means reduced inventory! The charts on these pages represent the full range of the Flexolet™ product run size combinations. Bonney Forge's Flexolet™ branch connections have been designed to substantially reduce

warehouse inventory. All fittings are marked as shown on the charts. All outlet sizes not shown should be ordered to specific run pipe sizes.

#### How It Works

Each charted outlet size shown on this page is designed to fit a number of run pipe sizes. The

drawings on pg. 39 reflect the allowed fit-up gap per MSS-SP-97-2001 specification. The design of the run curvature is such that, in all instances, the fit-up gap at the top of the run pipe or at the ear section of the fitting will not be more than 1/16". This gap is negligible when welding.

### CONSOLIDATIONS BUTT-WELD WITH 5s & 10s BRANCH I.D.

Run Sizes	Outlet Size Inches														
	1/2	3/4	1	1-1/4	1-1/2	2	2-1/2	3	3-1/2	4	5	6	8	10	12
1 1/4 - 1/2 36 - 1 1/2	3/4 2 1/2 - 1 36 - 3	1 1/2 - 1 4 - 2 36 - 5	1 1/4 2 - 1 1/2 6 - 2 1/2 36 - 8	1 1/2 2 3 - 2 1/2 10 - 3 1/2 36 - 12	2 3 - 2 1/2 5 - 3 1/2 18 - 6 36 - 20	2 1/2 3 1/2 - 3 5 - 4 10 - 6 26 - 12 36 - 28	3 4 5 6 8 - 6 10 - 8 14 - 10 42 - 16 80 - 44	3 1/2 4 5 6 10 - 8 18 - 12 56 - 20 80 - 60	4 5 6 10 - 8 18 - 12 44 - 20 72 - 46	5 6 8 12 - 10 18 - 14 30 - 20 72 - 32	6 8 10 14 - 12 18 - 16 26 - 20 40 - 28 80 - 42	8 10 12 14 16 18 22 - 20 28 - 24 36 - 30 48 - 38 80 - 52	10 12 14 16 18 20 24 - 22 28 - 26 34 - 30 42 - 36 52 - 44 72 - 56	12 14 16 18 20 22 24 26 30 - 28 34 - 32 40 - 36 48 - 42 60 - 52 80 - 64	

#### Inventory Reduction – Butt Weld 5s & 10s

The chart above outlines the full range of Flexolet BW size consolidations (Flexolet SW when Sch 5s & 10s ID's are specified). This chart has been devised and the fitting designed to substantially

minimize warehouse inventory. All fittings are manufactured and marked as shown on the chart.

#### How It Works

Each outlet size indicated on chart is designed to fit a number of run pipe sizes, e.g., the 1/2" fitting

marked 36 - 1 1/2" x 1/2" will fit all run pipe sizes from 1 1/2" to 36". When placed on a 36" run pipe, there will be a maximum radial gap of 1/16" between the top of the run pipe and the base of the fitting at the crotch. This gap is negligible when welding.